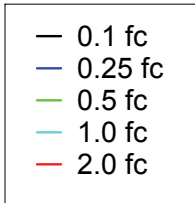
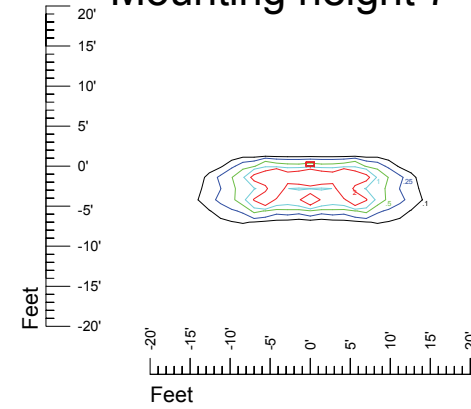


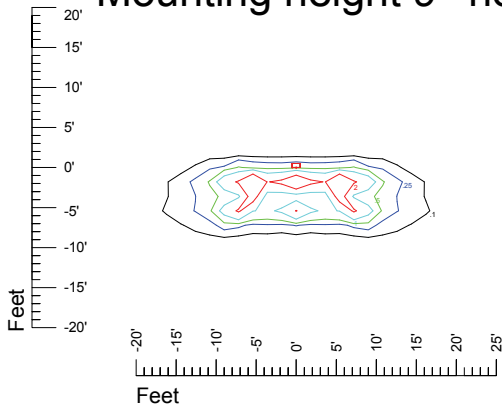
Import the proper Iso-curves into your CAD drawing  
IES Photometric files B650  
Iso curves in footcandles  
unit: Feet



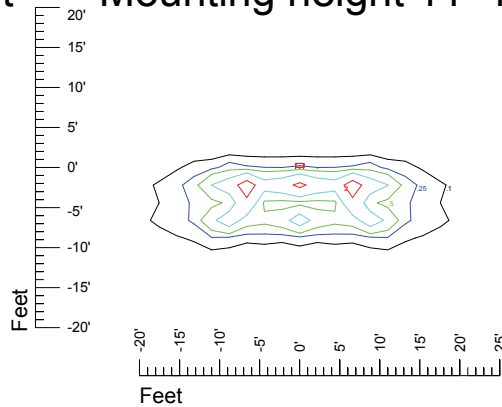
Mounting height 7' no tilt



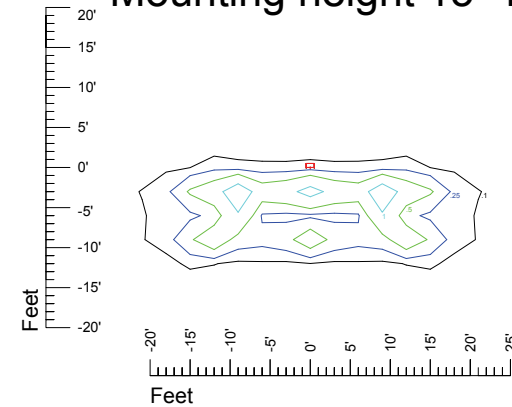
Mounting height 9' no tilt



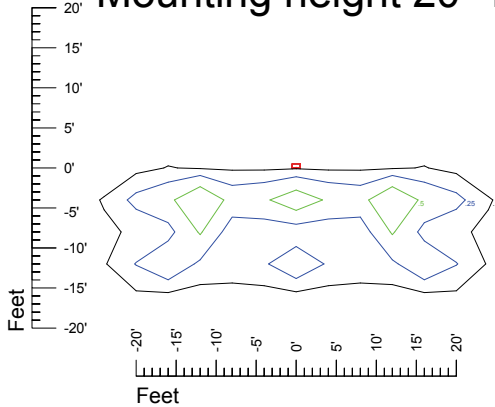
Mounting height 11' no tilt



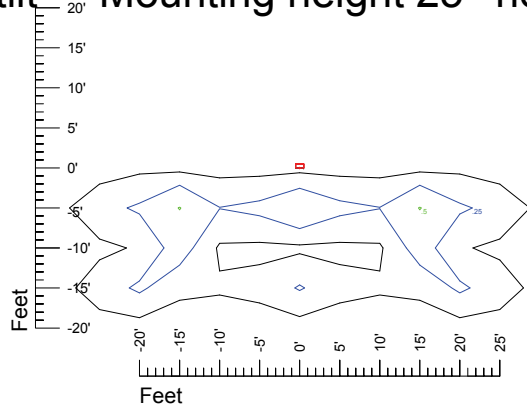
Mounting height 15' no tilt



Mounting height 20' no tilt



Mounting height 25' no tilt



Mounting height 30' no tilt

