

B29 , Avenger™ and Hide-a-Lite™ Series

Remote Fixtures



Create a family look for emergency lighting layouts with these remote fixtures

Keep your remote emergency lighting fixtures all in the family with these remote versions of three of our most popular decorative battery units.

B29 Series (B29-RT)

The **B29 Series** remote emergency lighting fixture features a contemporary, elegant design in a compact thermoplastic housing. Attractive and versatile, the **B29 Series** fixtures can be mounted in any orientation on walls and ceilings and are ideally suited for commercial or architectural applications requiring versatile, yet fast, installation.

Avenger™ Series (AVNG-R)

The **Avenger™ Series** remote emergency lighting fixture combines a sleek, low profile body design and transparent light shield with a complete package of high performance features and options. The **Avenger™** is ideally suited for any commercial application requiring high performance in an attractive, modern package.

Hide-a-Lite™ Series (HIDER)

The **Hide-a-Lite™** remote emergency lighting fixture uses recessed cabinetry to conceal all internal components within wall or ceiling cavities, remaining almost invisible until needed. When AC fails and the lights go out, the **Hide-a-Lite™** unit emerges, illuminating the path to safety. Ideally suited for any environment where aesthetics are a prime consideration.

N.B.: All of these remote emergency lighting units require an external DC source. For self-powered units, please refer to "Battery Units" section.



Project/Location:

Date:

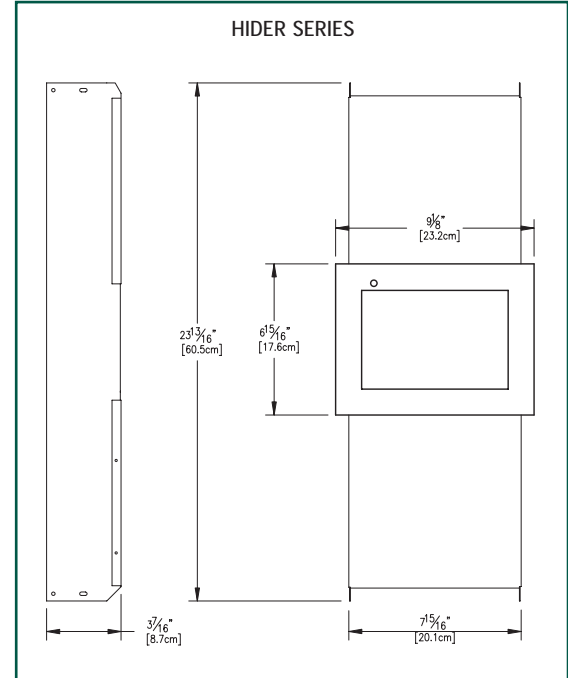
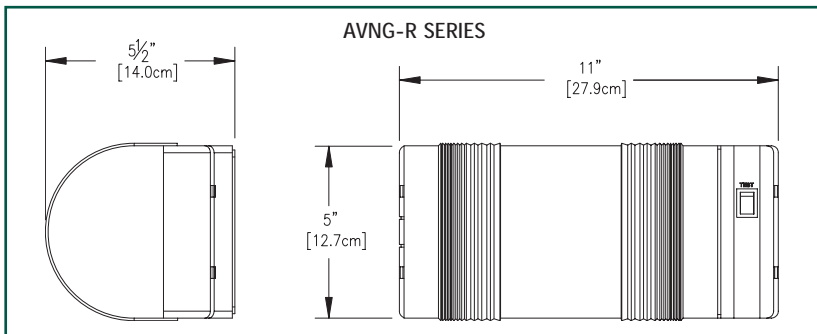
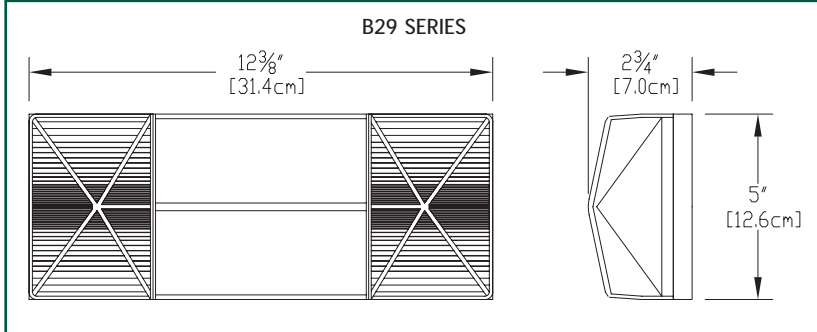
C A PM I LS

Contractor:

Prepared by:

B29, Avenger™ and Hide-a-Lite™ Series

Dimensions



Ordering Information

B29 Series

Series	Lamp Type/Voltage/Wattage	Options
B29-RT= remote fixture	6/9= 6V - 7.2 watts, tungsten, wedge base	Blank= no options
	12/9= 12V - 7.2 watts, tungsten, wedge base	VRTP= vandal resistant screws
	24/9= 24V - 9 watts, tungsten, wedge base**	
	** Not CSA listed	

EXAMPLE: B29RT6/9VRTP

Avenger Series

Series	Lamp Type/Voltage/Wattage	Colour	Options
AVNG-R= remote fixture	6/9= 6V - 7.2 watts, tungsten, wedge base	Blank= factory white	Blank= no options
	12/9= 12V - 7.2 watts, tungsten, wedge base	BK= black	VR= vandal resistant screws
	24/9= 24V - 9 watts, tungsten, wedge base**		
	** Not CSA listed		

EXAMPLE: AVNG-R6/9VR

Hide-a-Lite Series

Series	Lamp Type/Voltage/Wattage	A.C. Input Voltage	Options
HIDER= remote fixture	12/12= 12V - 12 watts, MR16	Blank= 120/347 (standard)	Blank= no options
	12/20= 12V - 20 watts, MR16		LBB= less backbox
	12/35= 12V - 35 watts, MR16		
	12/50= 12V - 50 watts, MR16		
	24/20= 24V - 20 watts, MR16		
	24/35= 24V - 35 watts, MR16		
	24/50= 24V - 50 watts, MR16		

EXAMPLE: HIDER12/12

