

Recess Mounted Series

Remote Emergency Lighting Fixtures



RF105 Series

- PAR 36, recess mounted fixtures with gimbal ring
- Durable thermoplastic trim ring standard; metal trim available as an option
- Available in factory white (standard) and black
- Gimbal ring adjustable on two planes to 45 degrees



RF117 Series

- HIT, semi-recessed, miniature eyeball fixture
- Durable, baked enamel metal trim
- Available in factory white
- Head adjustable on two planes of vertical and horizontal rotation



RF107 Series

- PAR 36, semi-recessed, eyeball fixture
- Durable, brushed aluminum trim
- Head adjustable on two planes of vertical and horizontal rotation



RF113 Series

- Square, recessed metal fixture with a choice of lamps
- Trim colour is factory white



READY-LITE™

Project/Location:

Date:

C

A

PM

I

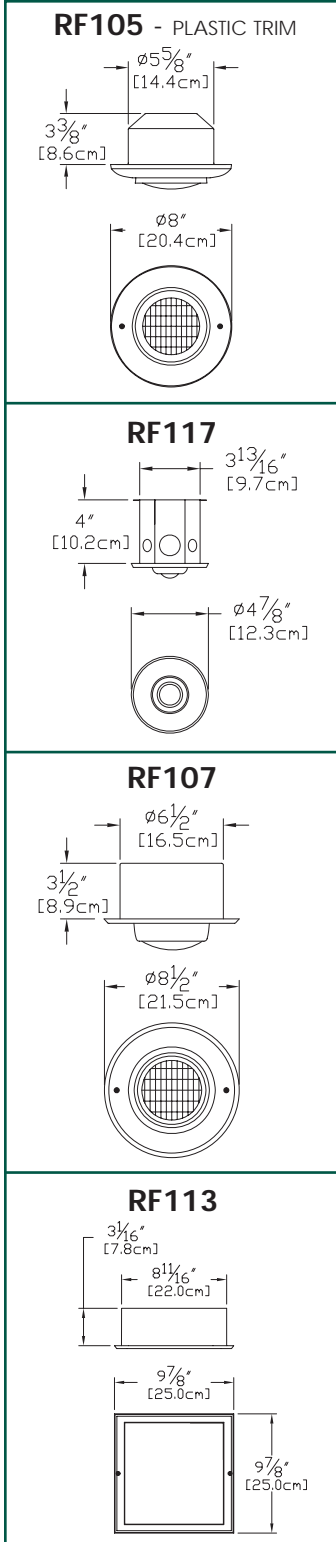
LS

Contractor:

Prepared by:

Recess Mounted Series

Dimensions



Ordering Information

Series	Lamp Type	Housing	Options	Voltage/Wattage/Lamp Type	Colour
RF105= par 36 recessed	Blank= tungsten H= quartz sealed beam Q= halogen S= sealed beam	Blank= plastic trim M= metal trim	Blank= no options LBB= less back box	-6/9= 6V - 9 watts, tungsten, wedge base -6/ __ = 6V - 18 or 25 watts, tungsten, D.C.B -12/ __ = 12V - 9 or 18 watts, tungsten, wedge base -12/25= 12V - 25 watts, tungsten, D.C.B -24/ __ = 24V - 9 or 18 watts, tungsten, wedge base -24/25= 24V - 25 watt, tungsten, D.C.B -6 __ = 6V - 8, 12, or 20 watts, halogen, quartz bi-pin -12/ __ = 12V - 8, 12, *20 or *55 watts, halogen, quartz bi-pin -24/ __ = 24V - 20 or 70 watts, halogen, quartz bi-pin -6/ __ = 6V - 9, 12, 18 or 25 watts, tungsten, sealed beam -12/ __ = 12V - 12, 18 or 25 watts, tungsten, sealed beam -6/ __ = 6V - 8, 12 or 20 watts, halogen, quartz sealed beam -12/ __ = 12V - 8, 12 or *37 watts halogen, quartz sealed beam -32/ __ = 32V - 18 or 25 watts, tungsten, D.C.B -120/ __ = 120V - 10, 15, *30 or *50 watts, tungsten, D.C.B *NOTE: " __ " = insert wattage required * Available with metal trim only	Blank= factory white BK= black

EXAMPLE: RF105Q-12/12

Series	Voltage/Wattage/Lamp Type
RF117= semi-recessed	-6/20= 6V - 20 watts, tungsten, S.C.B.
miniature eyeball	-12/20= 12V - 20 watts, tungsten, S.C.B. -24/20= 24V - 20 watts, tungsten, S.C.B.

EXAMPLE: RF117-12/20

Series	Lamp Type	Options	Voltage/Wattage/Lamp Type
RF107= par 36, semi-recessed	Blank= tungsten H= quartz sealed beam Q= halogen S= sealed beam	Blank= no options LBB= less back box	-6/9= 6V - 9 watt, tungsten, wedge base -6/ __ = 6V - 18 or 25 watts, tungsten, D.C.B -12/ __ = 12V - 9 or 18 watts, tungsten, wedge base -12/25= 12V - 25 watts, tungsten, D.C.B -24/ __ = 24V - 9 or 18 watts, tungsten, wedge base -24/25= 24V - 25 watts, tungsten, D.C.B -6 __ = 6V - 8, 12, or 20 watts, halogen, quartz bi-pin -12/ __ = 12V - 8, 12, *20 or *55 watts, halogen, quartz bi-pin -24/ __ = 24V - 20 or 70 watts, halogen, quartz bi-pin -6/ __ = 6V - 9, 12, 18 or 25 watts, tungsten, sealed beam -12/ __ = 12V - 12, 18 or 25 watts, tungsten, sealed beam -6/ __ = 6V - 8, 12 or 20 watts, halogen, quartz sealed beam -12/ __ = 12V - 8, 12 or *37 watts halogen, quartz sealed beam -32/ __ = 32V - 18 or 25 watts, tungsten, D.C.B -120/ __ = 120V - 10, 15, *30 or *50 watts, tungsten, D.C.B *NOTE: " __ " = insert wattage required

EXAMPLE: RF107Q-12/12

Series	Lamp Type	Lamp Type/Voltage/Wattage	Trim Colour
RF113= recessed decorative square	Blank= tungsten Q= halogen	-6/8= 6V - 8 watts, halogen, quartz bi-pin -6/9= 6V - 9 watts, tungsten, wedge base -6/12= 6V - 12 watts, halogen, quartz bi-pin -12/8= 12V - 8 watts, halogen, quartz bi-pin -12/9= 12V - 9 watts, tungsten, wedge base -12/12= 12V - 12 watts, halogen, quartz bi-pin -12/18= 12V - 18 watts, tungsten, wedge base -24/9= 24V - 9 watts, tungsten, wedge base -24/18= 24V - 18 watts, tungsten, wedge base	Blank= factory white

EXAMPLE: RF113Q-12/12

Thomas & Betts

READY-LITE™