



Legend™ Series

Recessed Pot-Lites
Decorative Recessed Fixture

Internally self-powered, decorative recessed lighting

The Legend™ Series self-powered, recessed pot-lites combine contemporary design with the latest in high-tech security capability. Designed to meet the needs of interior design professionals without sacrificing safety, these recessed fixtures are available in a wide range of colours to complement any interior.

Features

- Durable, powder-coated die-cast aluminum construction
- Standard finish is white – also available in black, brushed nickel, chrome and polished brass
- High performance MR16 halogen light source
- Maintenance-free, sealed nickel cadmium battery has a life expectancy of five years
- Quick disconnect feature for easy trim installation; easy to access for maintenance
- Fully automatic, solid-state Pulse-Guard charger with low voltage battery disconnect, brownout protection, integral test switch and long-life LED AC-On pilot lights
- Charger is designed for NiCad continuous trickle charge and is reverse polarity protected
- Also available as a remote fixture; see Remote Fixtures section of this catalogue
- 120/347 Vac standard input
- CSA C22.2 No. 141 certified





Project/Location:

Date:

Contractor:

Prepared by:

Legend™ Series

Typical Specification



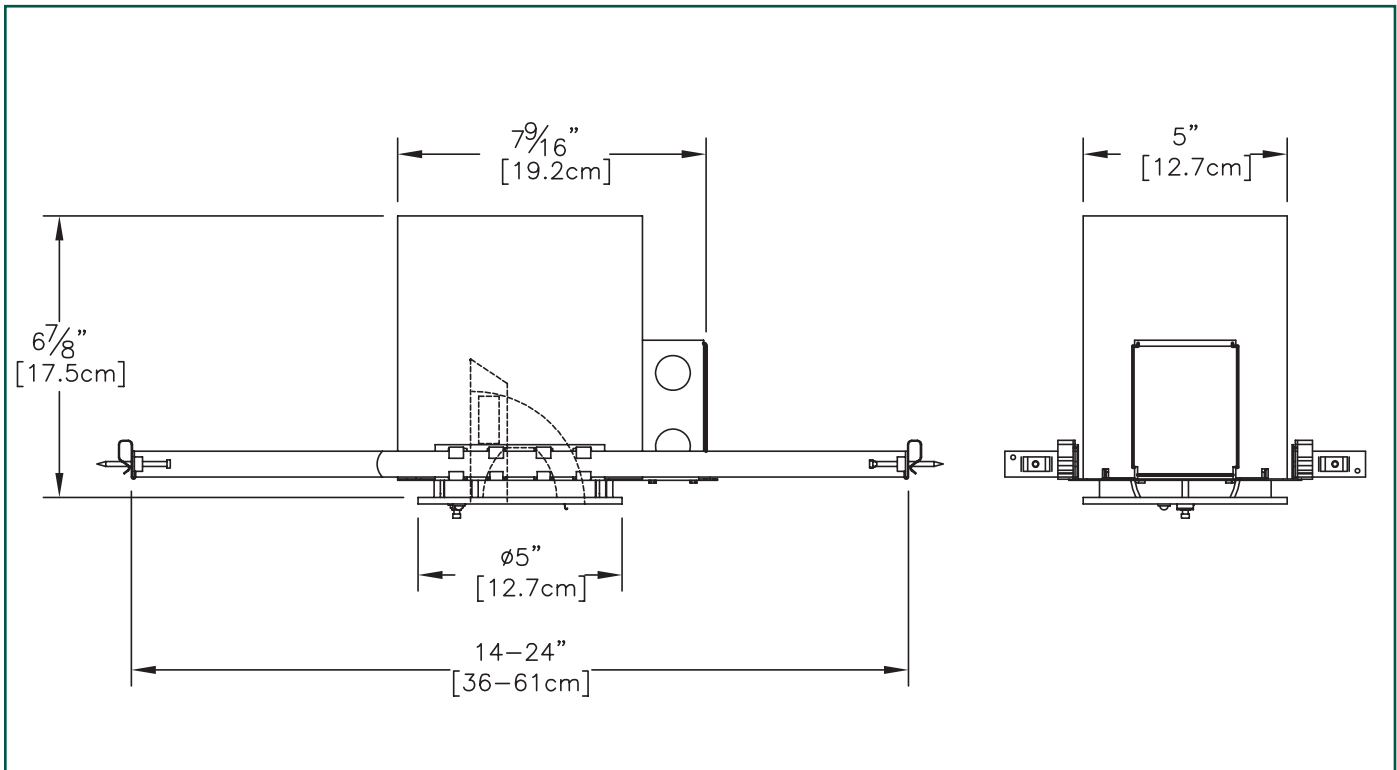
Recessed heads and housings:

The contractor will supply and install READY-LITE™ Legend™ internally self-powered Series. The unit will have a dual input 120/347 Vac 60Hz. Recessed heads will be constructed of a durable powder coated, die cast aluminum construction and use MR16 halogen light sources and a 5 year NiCad battery. The recessed head shall be adjustable to 0-90° vertical and 0-350° horizontal angle. The light source will be 6 volts 6 watts MR16 halogen narrow beam or otherwise

specified. The unit will provide illumination in emergency operation and receive their DC directly from the internally nicad battery. The duration of the DC back up will be 30 minutes according to the building code having jurisdiction in the geographical location where the recessed heads will be installed.

The unit shall be READY-LITE™ Model: _____.

Dimensions



Ordering Information

Series	Colour	Standard	Lamp Wattage
RLR2	WH= factory white	SP-C= self-powered	Blank= 6 watts, MR16
	BK= black		
	BN= brushed nickel		10= 10 watts, MR16
	CH= chrome		
	PB= polished brass		

EXAMPLE: RLR2WHSP-C