



TUF™ LDX-NM Series

NEMA-4X Certified
Battery Unit

Impressive, state-of-the-art illumination for architectural, commercial and industrial applications

The TUF™ LDX-NM Series battery unit sets a new standard for center-to-center path of egress illumination, lighting an egress path up to 70-foot wide and 3-feet long. Visually appealing, the TUF™ LDX-NM Series battery unit is designed for use in commercial and industrial environments where humidity, dust, water infiltration and the risk of vandalism are specification criteria.

Features

Standard

- Delivers unsurpassed pathway illumination up to 70 feet, center-to-center
- Fully gasketed cast aluminum back plate with clear polycarbonate cover – NEMA-4X Certified
- Choice of three colours: factory white, black or silver grey
- Comes standard with non-audible advanced diagnostic charger board, 10 minute time delay and lamp disconnect
- Audible warning and time delay functions can be enabled or disabled during installation
- Micro-controller diagnostic system tests, detects and indicates battery, charger circuitry or MR16 lamp failures
- Non intrusive magnetic test switch
- High efficiency MR16 lamps, up to 20W
- Long-life, maintenance free sealed lead acid battery
- 1/2" rigid conduit entry on top and back
- Can be installed on 4-inch junction boxes
- Comes standard with tamper-proof screws and bit
- Cold weather option (-40°C)
- Standard 120/347Vac input voltage
- NSF Certified for food processing plants
- CSA C22.2 No. 141 Certified
- Also available as a remote fixture. Please refer to "Remote Fixture" section, TUF™ NM series



NEMA-4X



NEXUS



READY-LITE™



Project/Location:

Date:

Contractor:

Prepared by:

TUF™ LDX-NM Series

Typical Specification



Supply and install the Ready-Lite NEMA-4X Certified TUF™ LDX-NM Series battery unit.

Specifically designed for high abuse areas, wet locations, and cold weather (CW option -40°C), the housing shall be fully gasketed with a cast aluminum back plate and clear heavy-duty UV resistant polycarbonate cover. The heads shall be fully adjustable without tools and the lamps shall be high efficiency halogen MR16. The standard unit shall be equipped with tamper-proof screws and bits.

The Ready-Lite Advanced Diagnostic Micro-controller charger board shall supply the rated load for a minimum of 30 minutes to 87.5% of the rated battery voltage. The charger incorporates lockout and brownout circuits, and low voltage disconnection. It protects the unit from over-current, short-circuit, and reverse polarity. The unit shall be rated 120/347V, 60Hz. The unit shall have an output of ___ volts.

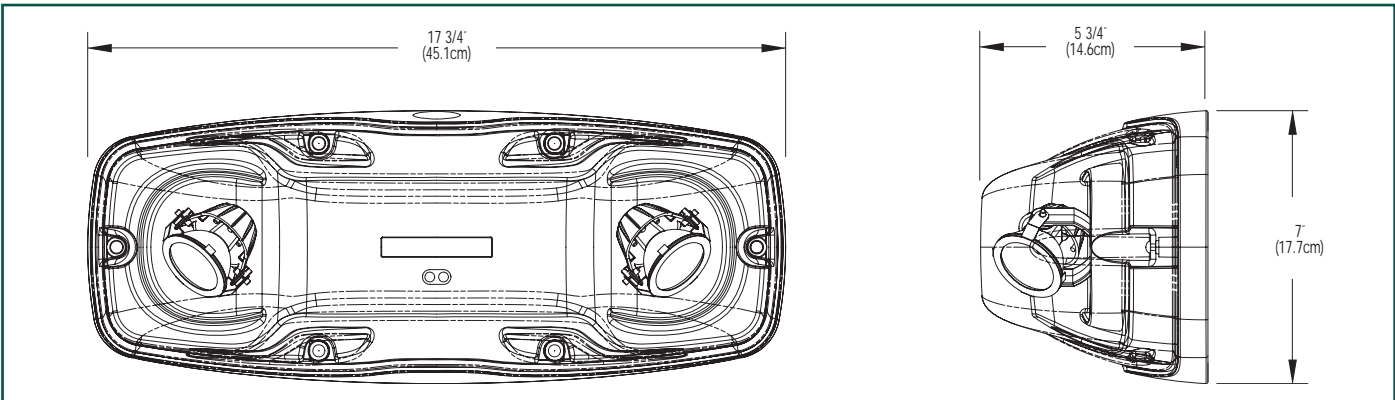
This unit shall self-test for 1 minute every 30 days, 10 minutes on the 6th month and 30 minutes every 12 months. The unit shall be furnished with a non-intrusive magnetic test switch. A "Service Required" lamp shall be located near the test switch and flash when a fault is detected. A four-LED diagnostic display shall be located inside the equipment and shall identify the source of failure (battery, charger, circuitry, or lamps).

The unit shall be CSA C22.2 No.141. certified. It shall also be NSF Certified for use in food processing plants.

The unit shall be Ready-Lite Model - _____.

Dimensions

PATENT PENDING

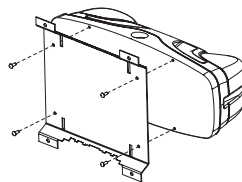


Accessories (order as a separate item)

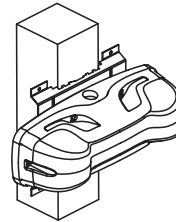
Additional bit for tamperproof screws TPB

Universal bracket (for mounting on poles, I-beams or Superstrut® metal framing) PMK

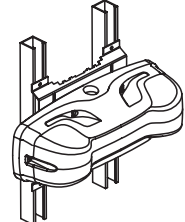
PMK Kit (screws included)



Beam Mounting



Superstrut Mounting



Ordering Information

Series	Capacity	Cabinet	#of Heads	Voltage/Wattage/Lamp Type	Colour	A.C. Voltage	Options
LDX6= 6 volts	-36= 6V-36W	NM= NEMA-4X	2= 2 heads	RM6= mini halogen, 6V-6 watts, MR16	Blank= factory white BK= black GY= grey	Blank= 120/347Vac U277= 277Vac	Blank= no options
LDX12= 12 volts	-72= 12V-72W			RM10= mini halogen, 6V-10 watts, MR16			CW1= cold weather 120Vac
	-108= 12V-108W			RM12= mini halogen, 12V-12 watts, MR16			*CW3= cold weather 347Vac
				RM20= mini halogen, 12V-20 watts, MR16	**NEX= NEXUS system interface		
				L= 12V-5W LED			

EXAMPLE: LDX6-36NM2RM6

* Available in 6V only.
** Not all options available with NEXUS. Consult factory.