

LES Series

Compact Emergency Lighting Units

Labour-saving, low profile battery unit

The LES Series battery unit has a clean, space-saving design that is ideally suited for any commercial application, especially retrofit installations. The LES Series is both an economical and easy to install self-powered unit, eliminating the need for DC wiring.

Features

- Compact 20 gauge satin coat steel cabinet available in factory white, black and grey
- Fully automatic, solid state, voltage sensitive charger with test switch and AC-on pilot light
- Sealed dust-proof transfer relay circuit and low voltage disconnect
- Long-life, maintenance-free sealed lead acid battery
- Choice of tungsten, quartz bi-pin or M16 lamps
- Lamphell constructed of injection moulded, high impact, corrosion resistant thermoplastic
- 120Vac standard input
- CSA C22.2 No. 141 certified





Project/Location:

Date:

Contractor:

Prepared by:

LES Series



Typical Specification

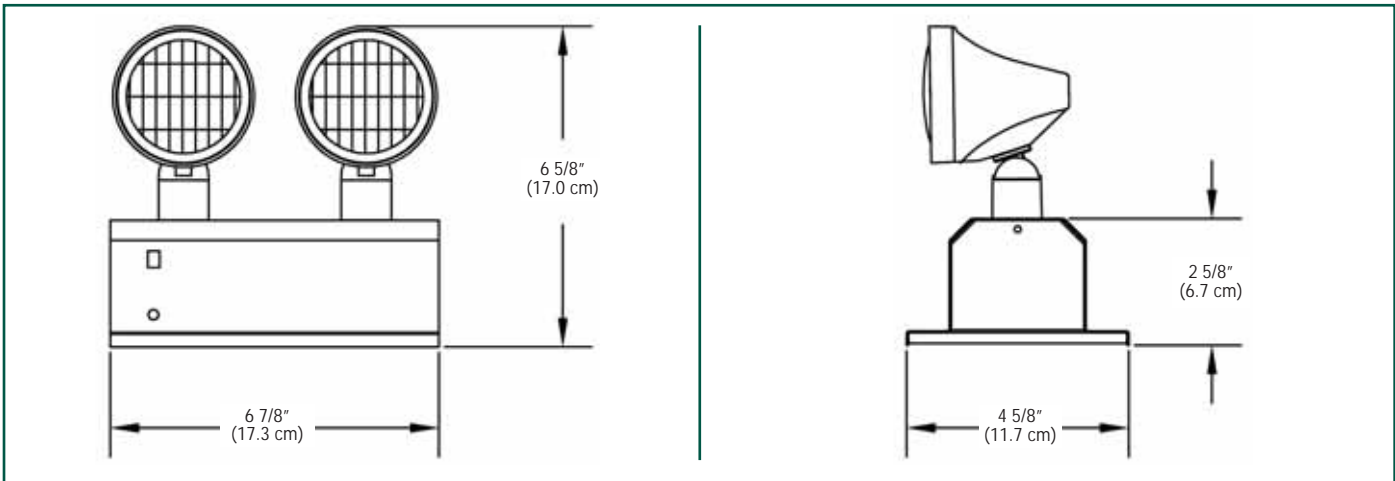
The contractor will install the Ready-Lite™ LES Series compact emergency lighting unit. The unit housing shall be made of steel painted factory-white and have external dimensions not larger than 18cm x 7cm x 12cm. The unit dimensions including the emergency heads shall be less than 18cm x 18cm x 12 cm. The unit shall be rated 120Vac 60Hz input and 6Vdc nominal output. The unit shall contain a fully automatic, solid-state battery charger with test switch and AC-on pilot light. The charger shall be computer tested and shall contain low-voltage disconnect circuitry to protect the battery from deep discharge. The

battery shall be maintenance-free, sealed lead-calcium and shall supply the emergency heads with power for minimum 30 minutes during an AC power failure. The unit shall include two emergency heads built of flame-retardant thermo-plastic material requiring no tools for adjusting or aiming.

The unit shall be CSA C22.2 no 141.

The unit shall be Ready-Lite Model LES _____.

Dimensions



Ordering Information

Series	Capacity	# of Heads	Head Style/Wattage	Colour	A.C. Voltage
LES= 6 volts	18= 18 watts	-1= one head	RT9= mini tungsten, 6V - 9W, wedge base	Blank= factory white	Blank= 120Vac
	24= 24 watts	-2= two heads	RQ8= mini halogen, 6V - 8W, quartz bi-pin	BK= black	
			RQ12= mini halogen, 6V - 12W, quartz bi-pin	GY= grey	

EXAMPLE: LES18-2RT9