

Weatherproof Series

Remote Emergency Lighting Fixtures

Project/Location: _____

Contractor: _____

Date: _____

Prepared by: _____

WT Series – Features

- Available in single, double or triple head fixtures
- Durable thermoplastic construction suitable for industrial or high abuse areas
- Tool-less adjustment and aiming of lamp heads
- Certified CSA C22.2 No.250



Wire Guards

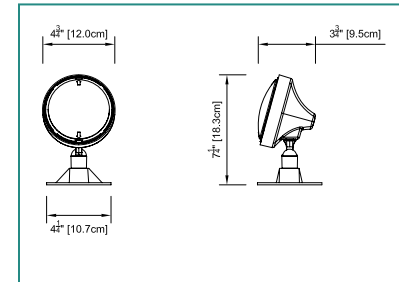
460.0035-RL	Wall Mount (LT)
460.0082-RL	Wall Mount (LQ)

Replacement Lamps

Model	Lamp Type	Voltage-Wattage
570.0016-RL	Tungsten	6V - 9W
570.0025-RL		12V - 9W
570.0079-RL		24V - 9W

See the complete list page 113

Dimensions



Ordering Information

Series	Number of Heads	Voltage/Wattage/Lamp Type	Colour	Options
WT = tungsten, par 36 WQ = halogen, par 36 WH = sealed beam halogen WS = sealed beam tungsten	1 = single 2 = double 3 = triple	-6/9 = 6V - 9 watts, tungsten, wedge base -6/ __ = 6V - 18 or 25 watts, tungsten, D.C.B -12/ __ = 12V - 9 or 18 watts, tungsten, wedge base -12/25 = 12V - 25 watts, tungsten, D.C.B. -24/ __ = 24V - 9 or 18 watts, tungsten, wedge base -24/25 = 24V - 25 watts, tungsten, D.C.B. -6 __ = 6V - 8, 12, or 20 watts, halogen, quartz bi-pin -12/ __ = 12V - 8, 12, 20 or 55 watts, halogen, quartz bi-pin	-24/ __ = 24V - 20 or 70 watts, halogen, quartz bi-pin -6/ __ = 6V - 9, 12, 18 or 25 watts, tungsten, sealed beam -12/ __ = 12V - 12, 18 or 25 watts, tungsten, sealed beam -6/ __ = 6V - 8, 12 or 20 watts, halogen, quartz sealed beam -12/ __ = 12V - 8, 12 or 37 watts halogen, quartz sealed beam -32/ __ = 32V - 18 or 25 watts, tungsten, D.C.B. -120/ __ = 120V - 10, 15, 30 or 50 watts, tungsten, D.C.B. *NOTE: " __"= insert wattage required	Blank = black W = factory white TC =teflon coated lens

EXAMPLE: WT2-6/9

WSR Series – Features

- Sealed beam, surface-mounted, rubber coated industrial remote fixture
- For use in high pressure hose down areas
- Available only in black
- Certified CSA C22.2 No.250

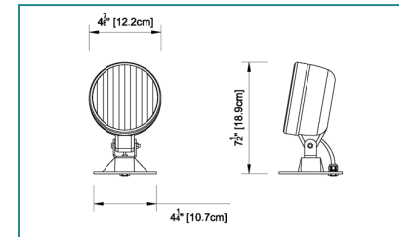


Replacement Lamps

Model	Lamp Type	Voltage-Wattage
550.0026-RL	Tungsten	12V - 12W
550.0027-RL		12V - 18W
550.0023-RL		12V - 25W

See the complete list page 113

Dimensions



Ordering Information

Series	Lamp Style	Lamp Type/Voltage/Wattage	Options
WSR = tungsten, par 36 WHR = halogen, par 36	1 = single 2 = double 3 = triple	-6/ __ = 6V - 9, 12,18 or 25 watts, tungsten, sealed beam -12/ __ = 12V - 12, 18 or 25 watts, tungsten, sealed beam -6/ __ = 6V - 8, 12 or 20 watts, halogen, quartz sealed beam -12/ __ = 12V - 8, 12 or 37 watts halogen, quartz sealed beam *NOTE: " __"= insert wattage required.	TC = teflon coated lens

EXAMPLE: WSR1-6/9

PT Series – Features

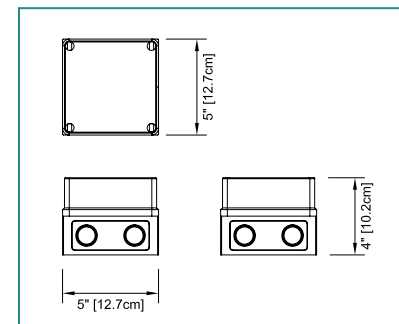
- NEMA-4X listed, surface-mounted, square industrial remote fixture
- Gray fiberglass base and clear polycarbonate lens
- Available with tungsten or quartz lamps in single or double head configurations
- Certified CSA C22.2 No.250



Ordering Information

Series	# of Heads	Lamp Type/Voltage/Wattage
PT = tungsten PQ = halogen	1 = single 2 = double	-6/9 = 6V - 9 watts, tungsten, wedge base -12/ __ = 12V - 9 or 18 watts, tungsten, wedge base -24/ __ = 24V - 9 or 18 watts, tungsten, wedge base -6V __ = 6V - 8, 12, or 20 watts, halogen, quartz bi-pin -12/ __ = 12V - 8, 12, or 20 watts, halogen, quartz bi-pin -24/20 = 24V - 20 watts, halogen, quartz bi-pin *NOTE: " __"= insert wattage required

Dimensions



EXAMPLE: PT2-6/9