



TUF-NM Series

NEMA-4X Certified Remote Fixture

Project/Location: _____

Contractor: _____

Date: _____

Prepared by: _____

Features

- Fully gasketed cast aluminum back plate with clear polycarbonate cover – NEMA-4X Certified
- Choice of single or double lamp models
- Available in 6, 12 and 24 volts models with various wattages
- UV and impact resistant cover
- Easy installation on four-inch octagonal box
- Comes standard with tamper-proof screws and bit
- NSF Certified for food processing plants

Typical Specification

Supply and install Ready-Lite **TUF-NM Series** remote emergency lighting fixtures. These remote fixtures will consist of either single or double lamp configurations according to the design. These fixtures shall be fully gasketed with a die cast aluminum back plate and a clear heavy-duty UV resistant polycarbonate light cover. Units shall be NEMA-4X and NSF certified and specifically designed for high abuse areas, wet and cold weather locations. The standard unit will come with stainless steel tamper-proof screws and bit.

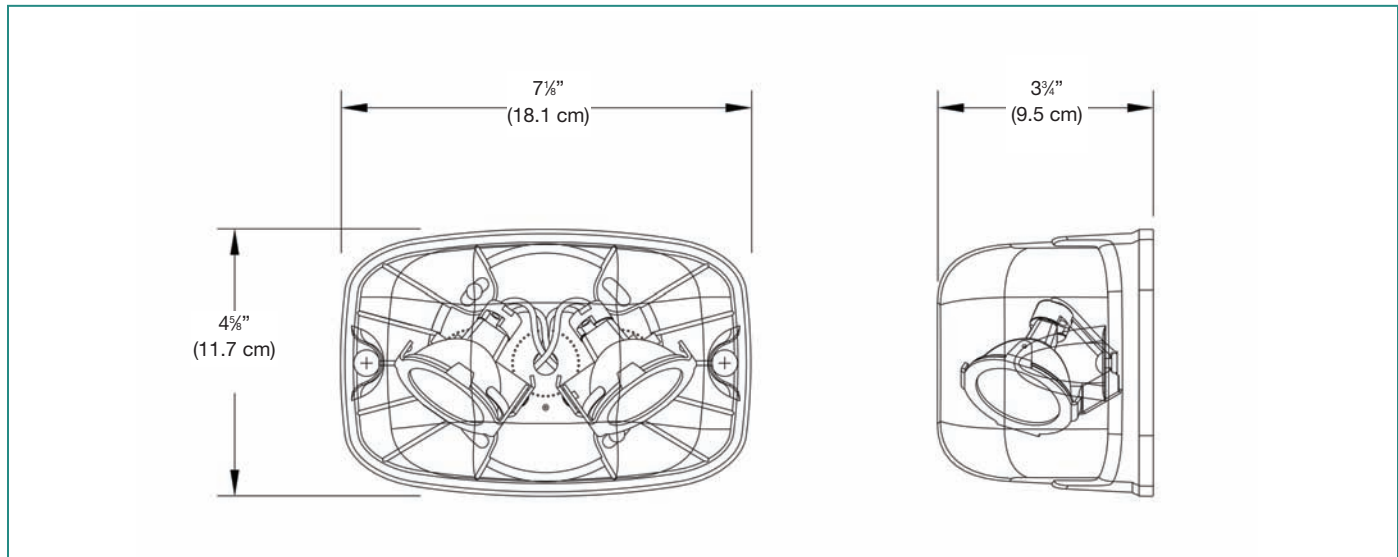
The remote fixture shall be certified to CSA C22.2 No. 250 and NSF Certified for use in food processing plants.

The head(s) shall be fully adjustable without tools and should be equipped with high efficiency MR16 halogen lamp(s).

The unit shall be Ready-Lite model: _____.



Dimensions



Replacement Lamps

Model	Lamp Type	Voltage-Wattage
580.0079-RL	MR16-Flood	6V - 10W
580.0080-RL		12V - 12W
580.0077-RL		24V - 12W

See the complete list page 113

Ordering Information

Series	Number of Lamps	Voltage/Wattage/Lamp Type	Colour
NMM = NEMA-4X	1 = one lamp 2 = two lamps	-6/6 = 6V-6 watts, MR16 -6/10 = 6V-10 watts, MR16 -12/12 = 12V-12 watts, MR16 -12/20H = 12V-20 watts, MR16 high output -24/12 = 24V-12 watts, MR16 -24/20 = 24V-20 watts, MR16 -LD7 = 12V-4 watts LED	Blank = factory white BK = black GY = grey

EXAMPLE: NMM2-6/6