



# RT/RQ/RM Series

Micro Tungsten Lamps

Micro Quartz Lamps, MR16 Lamps

Project/Location: \_\_\_\_\_

Contractor: \_\_\_\_\_

Date: \_\_\_\_\_

Prepared by: \_\_\_\_\_

## Features

- Fire-retardant thermoplastic
- Variable light patterns using adjustable lens
- 300° rotation



## Typical Specification

Lamp head and stem shall be injection molded, impact resistant, flame retardant thermoplastic. The lens shall be inverse concave design and fully adjustable for aisle or area distribution during installation without the need to energize the lamp. Visual identification of distribution shall be provided through position of adjustment pins.

The remote fixture shall be certified to CSA C22.2 No.250.

Fixture shall be supplied with a canopy for installation on any four inch octagon box. Housing shall be so designed to allow for lamp replacement if required. Lamp shall be \_\_\_\_\_ volts, \_\_\_\_\_ watts Model: RT-, RQ- or RM- by Ready-Lite.

The unit shall be Ready-Lite model: \_\_\_\_\_.

## Wire Guards

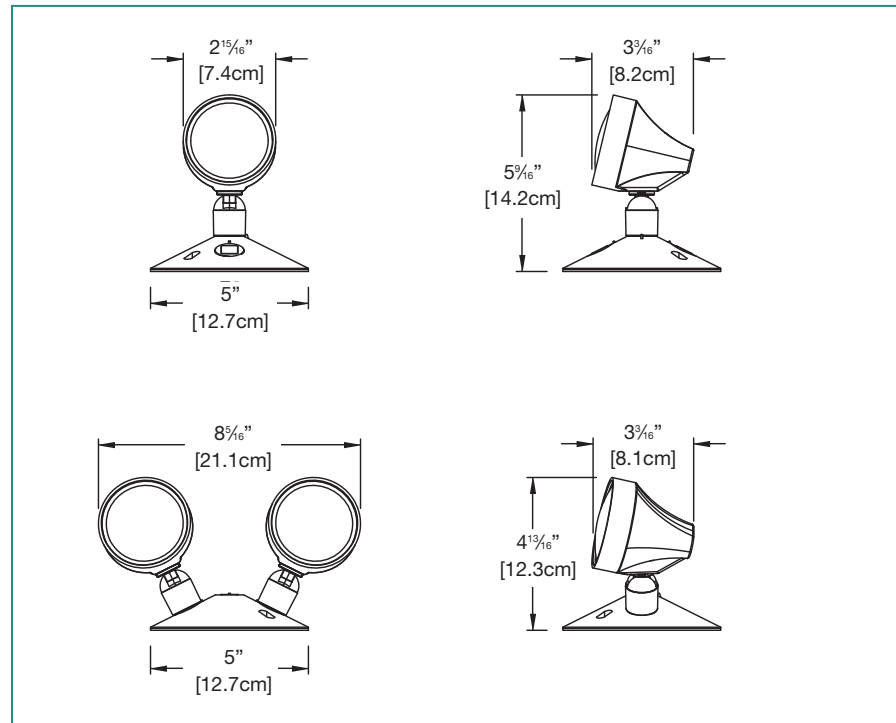
460.0029-RL:	Wall Mount
--------------	------------

## Replacement Lamps

Model	Lamp Type	Voltage
570.0016-RL	Tungsten	6V - 9W
570.0045-RL	Tungsten	24V - 9W
580.0015-RL	Halogen (quartz)	12V - 12W
580.0093-RL	LED	12V - 4W

See the complete list page 113

## Dimensions



## Ordering Information

Series	Lamp Type	Number of Heads	Voltage/Wattage	Colour
<b>R</b> = mini, par 18	<b>T</b> = tungsten, wedge base <b>Q</b> = halogen, quartz bi-pin <b>M</b> = halogen, MR16	<b>1</b> = single head <b>2</b> = double head <b>3</b> = triple head	<b>-6/9</b> = 6V - 9 watts, wedge base <b>-12/9</b> = 12V - 9 watts, wedge base <b>-12/18</b> = 12V - 18 watts, wedge base <b>-24/9</b> = 24V - 9 watts, wedge base <b>-24/18</b> = 24V - 18 watts, wedge base <b>-6/8</b> = 6V - 8 watts, quartz bi-pin <b>-6/12</b> = 6V - 12 watts, quartz bi-pin <b>-12/8</b> = 12V - 8 watts, quartz bi-pin <b>-12/12</b> = 12V - 12 watts, quartz bi-pin <b>-24/12</b> = 24V - 12 watts, xenon quartz <b>-12/10</b> = 12V - 10 watts, MR16 <b>-6/6</b> = 6V - 6 watts, MR16 <b>-6/10</b> = 6V - 10 watts, MR16 <b>-12/12</b> = 12V - 12 watts, MR16 <b>-12/20</b> = 12V - 20 watts, MR16 <b>-24/12</b> = 24V - 12 watts, MR16 <b>-LD7</b> = 12V-4 watts LED	<b>Blank</b> = factory white <b>BK</b> = black

EXAMPLE: RT2-6/9