

Project/Location: \_\_\_\_\_

Contractor: \_\_\_\_\_

Date: \_\_\_\_\_

Prepared by: \_\_\_\_\_

# RLR Legend™ Remote Collection

## Recessed Designer Series



### Housing for recessed remote

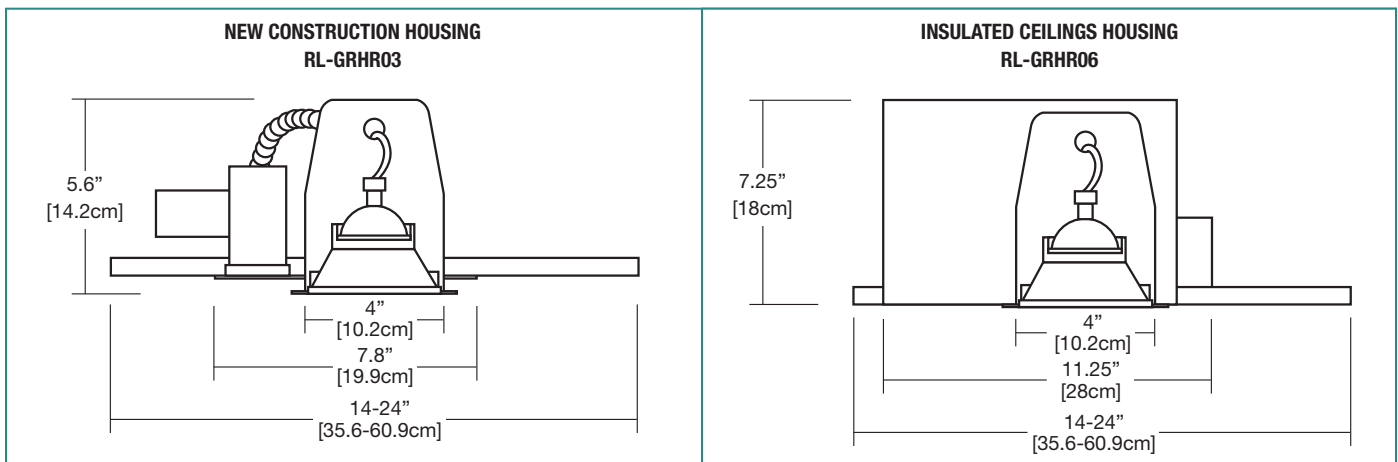
Model #	Description
RL-GRH03= non insulated ceilings	New construction (pre drywall)
RL-GRH04= non insulated ceilings	New construction (post drywall)
RL-GRH06= insulated ceilings	New construction (pre drywall)

### Features

- Contemporary, enduring designs
- 6W, 10W, 12W, 20W, 35W, and 50W availability
- Wide beam MR16 light source
- Will blend in with regular decorative recessed fixtures
- Choice of housing for new construction or insulated ceiling
- RLR8NB and RLR8R are made of powder coated or electro-plated steel
- RLR and RDR are made of die-cast
- Certified CSA C22.2 No.250



### Dimensions



### Replacement Lamps

Model	Lamp Type	Voltage-Wattage
580.0079-RL	MR16-Flood	6V - 10W
580.0080-RL		12V - 12W
580.0077-RL		24V - 20W

See the complete list page 113

### Ordering Information

Series	Head Style	Colour	Voltage and Wattage
RLR= closed	<b>8NB</b> = flat <b>8R</b> = concave <b>9</b> = concave <b>2</b> = pop-out*	<b>WH</b> = white <b>BK</b> = black (8R, 9 & 2 series only) <b>BN</b> = brushed nickel (8R, 8NB & 2 series only) <b>CH</b> = chrome (2 series only) <b>PB</b> = polished brass (2 series only)	<b>-6/6</b> = 6V - 6 watts, MR16 <b>-6/10</b> = 6V - 10 watts, MR16 <b>-12/12</b> = 12V-12 watts, MR16 <b>-12/20</b> = 12V - 20 watts, MR16 <b>-12/35</b> = 12V - 35 watts, MR16 <b>-12/50</b> = 12V - 50 watts, MR16 <b>-24/12</b> = 24V - 12 watts, MR16 <b>-24/20</b> = 24V - 20 watts, MR16 <b>-24/35</b> = 24V - 35 watts, MR16 <b>-24/50</b> = 24V - 50 watts, MR16 <b>-120/20</b> = 120V - 20 watts, GU10, MR16* <b>-120/35</b> = 120V - 35 watts, GU10, MR16* <b>-120/50</b> = 120V - 50 watts, GU10, MR16* <b>-LD7</b> = 12V-4 watts LED *Available in "8R & 9" series only

\*Not available with LED bulb.

EXAMPLE: RLR8NBWH-6/6