

Project/Location: \_\_\_\_\_

Contractor: \_\_\_\_\_

Date: \_\_\_\_\_

Prepared by: \_\_\_\_\_

# RL40M Series

## Remote Fixture



### Typical Specification

Supply and install Ready-Lite **RL40M Series** remote emergency lighting. These remote fixtures will consist of either single or double lamp configurations according to the design and include a die cast aluminum back plate and a clear heavy-duty UV resistant polycarbonate light cover.

The remote fixture shall be certified to CSA C22.2 No.250.

The head(s) shall be fully adjustable and be equipped with MR16 halogen lamp(s).

The unit shall be Ready-Lite model: \_\_\_\_\_.

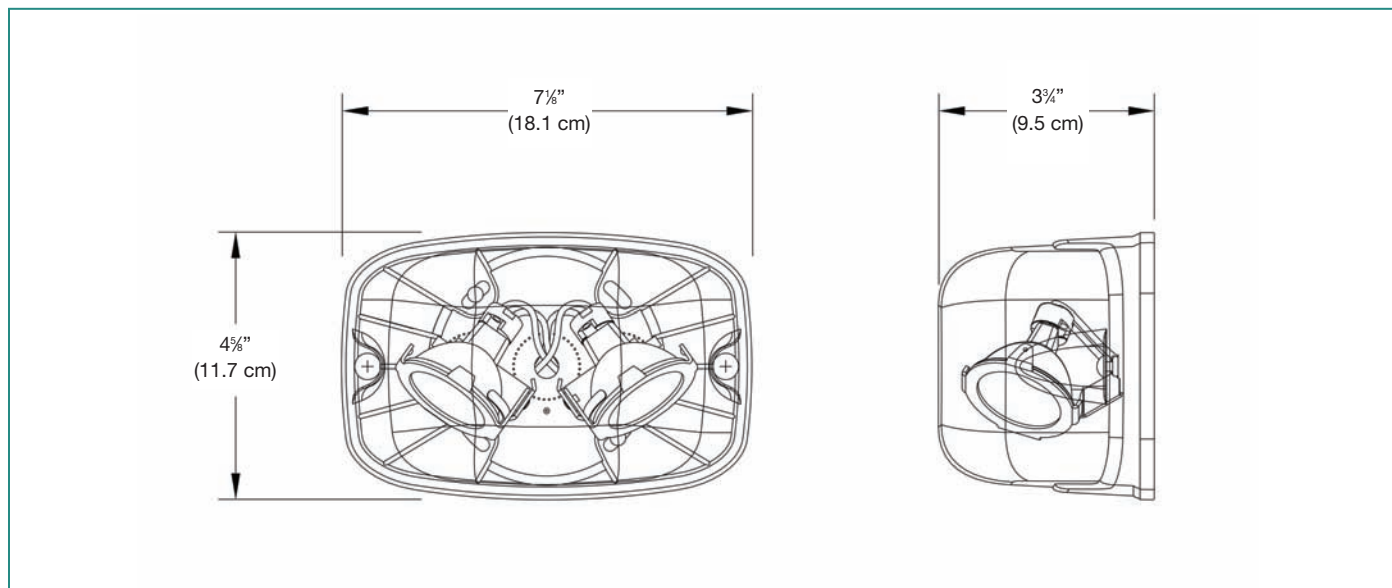
### Features

- Quality illumination requires fewer fixtures
- Easy installation
- Shielded to prevent tampering
- Easy Lamp replacement

For interior use only.  
Please refer to NHM Series for exterior use.



### Dimensions



### Replacement Lamps

Model	Lamp Type	Voltage-Wattage
580.0079-RL	MR16-Flood	6V - 10W
580.0080-RL		12V - 12W
580.0077-RL		24V - 20W
580.0093-RL	LED	12V - 4W

See the complete list page 113

### Ordering Information

Series	Number of lamps	Voltage/Wattage/Lamp Type	Colour	Options
<b>RL40M</b> = standard model	<b>1</b> = one lamp <b>2</b> = two lamps	<b>-6/6</b> = 6V-6 watts, MR16 <b>-6/10</b> = 6V-10 watts, MR16 <b>-12/12</b> = 12V-12 watts, MR16 <b>-12/20</b> = 12V-20 watts, MR16, high output <b>-24/12</b> = 24V-12 watts, MR16 <b>-24/20</b> = 24V-20 watts, MR16 <b>-LD7</b> = 12V-4 watts LED	<b>Blank</b> = factory white <b>BK</b> = black <b>GY</b> = grey	<b>T</b> = tamper proof screws <b>690.0454-RL</b> = tamper proof bit*  *One bit needed per order (must be ordered separately)

EXAMPLE: RL40M1-6/10