

Project/Location: _____

Contractor: _____

Date: _____

Prepared by: _____

Legend™ Series

Surface Designer Series



Typical Specification

The contractor will supply and install Ready-Lite **Legend Series** remote heads. These remote heads will consist of either single, double or triple head configurations according to the design. Remote heads will be constructed of a durable powder coated, die cast aluminum construction and use MR16 halogen light sources.

The remote fixtures shall be certified to CSA C22.2 No.250.

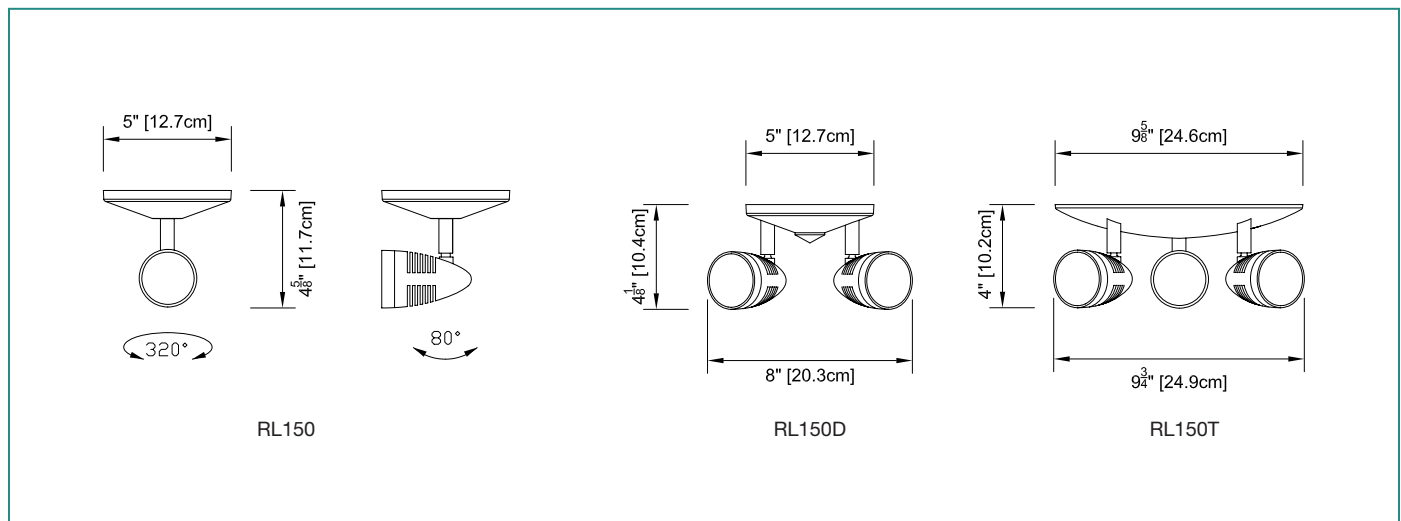
The unit shall be Ready-Lite model: _____.

Features

- Contemporary, enduring designs
- Highly-resistant powder-coated, die cast aluminum construction
- 6W, 10W, 12W, 20W, 35W, and 50W availability
- Remote head: 1, 2 or 3 head configurations
- Narrow beam MR16 light source



Dimensions



Wire Guards

460.0029-RL	Wall Mount
460.0032-RL	Wall Mount
460.0078-RL	Wall Mount

Replacement Lamps

Model	Lamp Type	Voltage-Wattage
570.0074-RL	MR16-Flood	6V - 6W
580.0080-RL		12V - 12W
580.0077-RL		24V - 20W
580.0093-RL	LED	12V - 4W

See the complete list page 113

Ordering Information

Series	Number of Heads	Colour	Voltage/Wattage
RL150 = closed	Blank = single head D = double head T = triple head	Blank = white -B = black	-6/6 = 6V - 6 watts, MR16 -6/10 = 6V - 10 watts, MR16 -12/12 = 12V - 12 watts, MR16 -12/20 = 12V - 20 watts, MR16 -12/35 = 12V - 35 watts, MR16 -12/50 = 12V - 50 watts, MR16 -24/12 = 24V - 12 watts, MR16 -24/20 = 24V - 20 watts, MR16 -24/35 = 24V - 35 watts, MR16 -24/50 = 24V - 50 watts, MR16 -LD7 = 12V-4 watts LED

EXAMPLE: RL150-6/6