

Project/Location: _____

Contractor: _____

Date: _____

Prepared by: _____

Guardian Series

Wall Mount Remote Head



NEW clear lens option available!



Typical Specification

Wall mount unit shall be gasketed die-cast aluminum housing, impact resistant polycarbonate diffuser.

The lamps shall be in adjustable for aisle or area distribution.

Fixture shall be supplied with gasket and shall be suitable for installation on any four inch octagonal box.

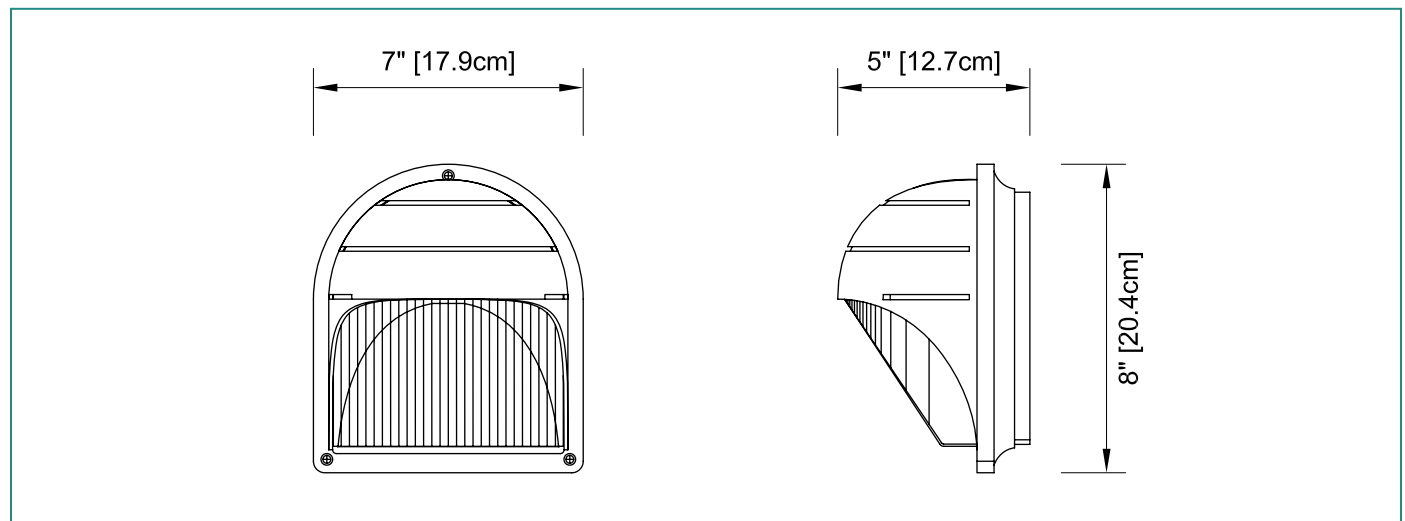
The fixture shall be certified to CSA C22.2 No.250

The unit shall be Ready-Lite model: _____.

Features

- Compact wall sconce unit for indoor and outdoor use
- Corrosive resistant die-cast aluminum housing
- High impact resistant polycarbonate diffuser
- Vandal resistant
- Adjustable MR16 lamps
- NEW clear lens design option dramatically improves light efficacy

Dimensions



Replacement Lamps

| Model | Type | Voltage-Wattage |
|-------------|------------|-----------------|
| 580.0079-RL | MR16-Flood | 6V - 10W |
| 580.0080-RL | | 12V - 12W |
| 580.0068-RL | | 12V - 20W |
| 580.0077-RL | | 24V - 12W |
| 580.0070-RL | | 24V - 20W |
| 580.0093-RL | LED | 12V - 4W |

See the complete list page 113

Ordering Information

| Series | Lamp Type | Voltage/Wattage | Colour | Option |
|------------------------------|---|--|--|---|
| GUA = exterior remote | Blank = (1) med. base socket only (max. 60W), no lamp included, for non-emergency M = MR16 | Blank = no lamp -6/10 = 6V - 10 watts, MR16 -12/12 = 12V - 12 watts, MR16 -12/20 = 12V - 20 watts, MR16 -12/20H = 12V - 20 watts, high output MR16 -24/12 = 24V - 12 watts, MR16 -24/20 = 24V - 20 watts, MR16 -LD7 = 12V - 4 watts LED | Blank = factory white BK = black DG = dark grey | VR = vandal resistant screws C = clear lens 990.0119-RL = tamper proof bit* *One bit needed per order |

EXAMPLE: GAUM-6/10