



NMHZ Series

Remote Fixture for Hazardous Locations:
 Class I Zone 2 Groups: IIA, IIB and IIC
 Class I Division 2 Groups: A, B, C and D

Project/Location: _____

Contractor: _____

Date: _____

Prepared by: _____

Features

- Quality illumination requires fewer fixtures
- Certified Class I Zone 2, Groups IIA, IIB and IIC
- Certified Class I Division 2, Groups A, B, C and D as per CSA C22.2 No.137-M1981
- Temperature Codes: T3B (10W and 12W MR16 lamps) and T2C (20W MR16 lamps), as per Canadian Electrical Code, Part I and CSA C22.2 No.137-M1981)
- Extreme operational temperature range: -40°C to +40°C.
- Choice of single- or double-lamp models.
- High-efficacy MR16 halogen lamps of 10W, 12W and 20W (see specification table)
- Input voltage: 6V, 12V, 24V or 120V
- Fully gasketed die-cast aluminum back plate
- Clear polycarbonate cover, UV and impact resistant
- Easy installation on a 4-inch octagonal box (included)
- Comes standard with tamper-proof screws and bit



Typical Specification

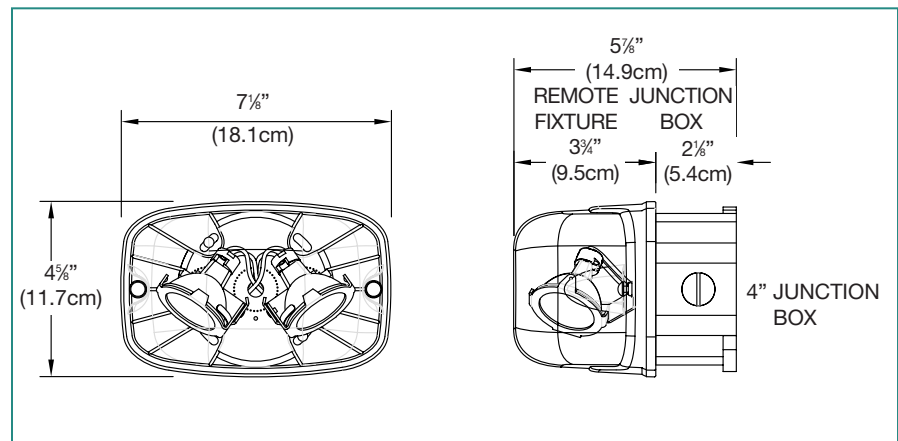
Supply and install Ready-Lite **NMHZ Series** remote emergency lighting fixture. The fixture shall have a single- or double-lamp configuration (as specified) and shall include a fully gasketed die-cast aluminum back plate and a clear heavy-duty UV resistant polycarbonate cover. The fixture shall come standard with a 4-inch octagonal box, stainless steel tamper-proof screws and dedicated screwdriver bit.

The equipment shall be certified for Hazardous Locations; Class I Zone 2 Groups: IIA, IIB and IIC and Class I Division 2 Groups: A, B, C and D and shall be listed to CSA C22.2 No. 50 and CSA C22.2 No.137-M1981. The fixture shall be rated with a temperature code for the selected lamps as in the table below.

Each lamp in the fixture shall be able to be oriented without tools and should be equipped with MR16 halogen lamp(s) of _____ Volts _____ Watts.

The unit shall be Ready-Lite model: _____.

Dimensions



Replacement Lamps

Model	Lamp Type	Voltage-Wattage	Temperature Code
580.0079-RL	MR16-Flood	6V - 10W	T3B
580.0068-RL	MR16-IR flood (High output)	12V - 20W-H	T2C
580.0077-RL	MR16-Flood	24V - 20W	T2C
580.0080-RL	MR16-Flood	12V - 12W	T3B
580.0070-RL	MR16-Flood	24V - 12W	T3B
580.0093-RL	MR16-LED	12V - 4W	-

Ordering Information

Series	Number of lamps	Voltage and Wattage	Colour
NMHZ = Class 1 Zone 2	1 = one lamp 2 = two lamps	-6/10 = 6V - 10 watt, MR16 -12/12 = 12V - 12 watt, MR16 -12/20 = 12V - 20 watt, MR16 -12/20H = 12V - 20 watt, MR16 high output -24/12 = 24V - 12 watt, MR16 -24/20 = 24V - 20 watt, MR16 120/20 = 120Vac/Vdc - 20 watt, MR16 LD7 = 12V - 4 watt, LED	GY = grey

EXAMPLE: NMHZ1-6/10