

Project/Location:

Contractor:

Date:

Prepared by:

FlexPole Model PS & PD

Compact, Efficient and Flexible



Our Basic Model (Dual Compartment)

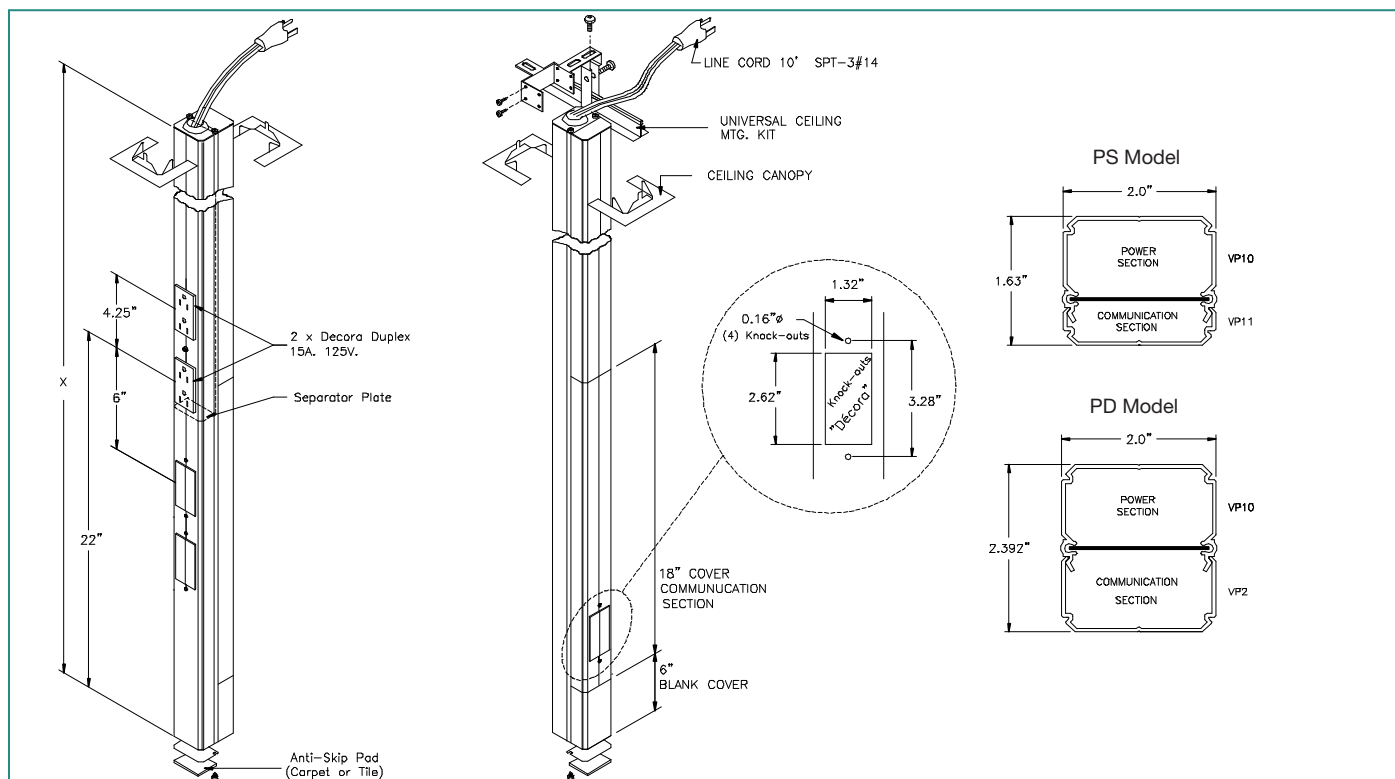
Ready-Lite Model "PS" and "PD" FlexPole with its efficient concept easily locates electrical, telephone or computer outlets where most needed. When changing open area office layouts the FlexPole is simply unplugged and relocated. The all aluminum extrusion eliminates the nuisance of transient inductions.

Installation is complete with an easy to install ceiling mounting bracket with canopy.

Notes

CSA allows a maximum of 2-15A standard duplex receptacles when using a line cord or a maximum of 4 duplex receptacles 15A on 2 separate circuits using a junction box for permanent connection. CSA does not allow use of line cord for isolated ground receptacles. A maximum of 2-IG receptacles per circuit with a maximum of 2 circuits-4 duplex receptacles allowed for isolated ground.

Dimensions



Features

This snap on all aluminum extrusion is 2" x 15/8" comes complete with a metal barrier between the power and communication sections. Our basic model is supplied with two standard Decora Duplex Receptical 125V – 15A, 3 Decora knockouts (2 front, 1 back). A 10' line cord and plug with 3# 14SJT wires is supplied for connecting to receptacle in the ceiling.

The ceiling mounting bracket is engineered to fit any inverted T Bar System. The maximum capacity of the communication section is 4-25 pair or 2-50 pair telephone cables. Ready-Lite standard finish is grey satin baked enamel.

Ordering Information

Model	Pole Height *	Duplex	Options	Branding
PS = PS series (small) PD = PD series (deep)	86 = 8' 6" (standard grey) 96 = 9' 6" (standard grey) 106 = 10' 6" (standard grey) 11 = 11' 0" (standard grey) 12 = 12' 0" (standard grey) 146 = 14' 6" (standard grey) * Other heights available	BP = blank pole R__ = decora duplex receptacle (specify qty) * IG__ = Isolated ground duplex receptacle (specify quantity) included JB option * R1 and R2 c/w line cord, R3 and R4 c/w junction box and dual circuit Notes : Max 2 duplex per circuit max 2 circuits 15A 125V per pole	DUC = Dual Circuit K__ = extra decora KO's * (specify extra quantity) BR = Barrier ** JB = Junction Box AF = Adjustable foot W = White finish Accessories LCFP = Replacement line cord MKFP = Replacement mounting Kit *3 decora KO's are standard except on blank pole ** Barrier is standard except on blank pole	RL = ReadyLite product

EXAMPLE: PS96BPBRRRL = 9'6" no duplex c/w barrier

EXAMPLE: PS96R2RL = 9'6" c/w 2 decora duplex, 3 decora K/O

EXAMPLE: PS96R2K1RL = 9'6" c/w 2 decora duplex, 4 decora K/O

EXAMPLE : PS11R1RL = 11'0" c/w 1 decora duplex, 3 decora K/O

