



SM-NEXTN Series

Steel Combination Unit

Project/Location: _____

Contractor: _____

Date: _____

Prepared by: _____

Features

- Dual input voltages 120/347Vac
- Comes pre-assembled for quick, easy installation
- Universal mounting – end, wall or ceiling
- Easy access to wiring entry for all mounting options
- Canopy mounting system designed specifically for ease of installation
- Universal, field-selectable chevrons (knockout)
- Energy efficient – complete unit consumes less than 3.5 watts



Typical Specification

Supply and install the Ready-Lite **SM-NEXTN Series** LED exit sign and power pack series. The exit housing and faceplates shall be constructed of steel. The exit sign shall have a maximum depth of 2-1/2". The faceplate(s) shall come standard with knock out chevrons. The light source for the exit sign shall be light-emitting diodes (LED). The LED lamps shall provide illumination in normal and emergency operation and shall be mounted inside the exit housing, not on the face. Red LEDs shall be of **ALINGAP** technology. An LED-sensitive diffuser shall be mounted behind the legend to provide the 6" high by 3/4" stroke letters with even illumination.

The power pack shall be a completely self-contained emergency unit with its own charger and rechargeable battery. The housing shall be made of steel. The power pack shall include a test switch and high charge pilot light. The equipment shall be designed to furnish exit illumination from the normal AC source. When a power failure occurs the exit sign along with the emergency heads shall illuminate for a minimum of 30 minutes. The power available for emergency lights shall be 28 watts or as otherwise specified.

The heads shall require no tools to adjust and aim. The heads will be of a durable thermoplastic construction and use 6-volt, 9-watt lamps or as otherwise specified.

The exit sign shall be certified CSA-C860.

The equipment shall be Ready-Lite model: _____.

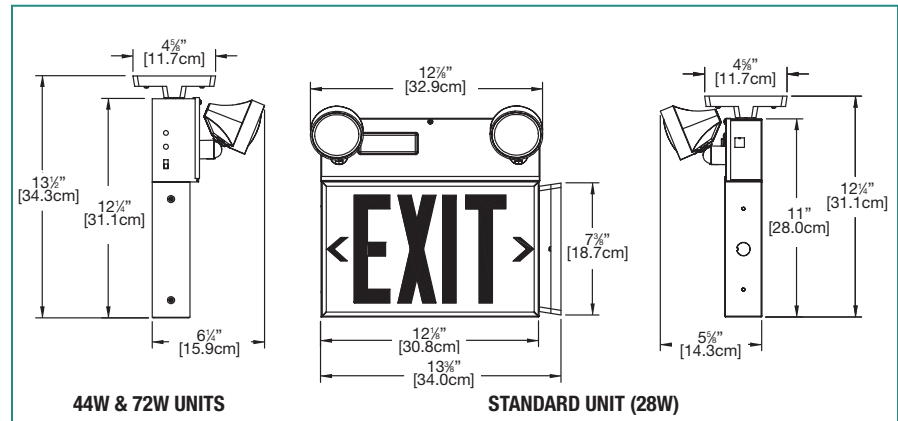
Wire Guards

460.0078-RL	Wall Mount
460.0060-RL	Ceiling Mount

Extra Faceplates

005406-RL	Factory white faceplate + red diffuser
005407-RL	Black faceplate + red diffuser
005408-RL	Grey faceplate + red diffuser
005409-RL	Factory white faceplate + green diffuser
005410-RL	Black faceplate + green diffuser
005411-RL	Grey faceplate + green diffuser

Dimensions



Power Consumption and Unit Rating

Model	AC Specs	Wattage Capacity				
		30min	1h00	1h30	2h00	4h00
EXIT Sign Module	120 / 347Vac	Less than 1.5W	-	-	-	-
NEXTN 6V-28W		0.15 / 0.05 Amp	28	16	12	9
NEXTN 6V-44W		0.15 / 0.05 Amp	44	26	18	15
NEXTN 6V-72W		0.15 / 0.05 Amp	72	42	30	24

Ordering Information

Series	# of Heads	Head Style and Wattage	Sign Series	Voltage	Colour	Options
SM28 = 6V-28W SM44 = 6V-44W SM72 = 6V-72W	Blank = no heads -1 = one head -2 = two heads	RT9 = mini-tungsten, 9W RQ8 = mini-halogen, 8W RQ12 = mini-halogen, 12W RM6 = mini-MR16, 6W RM10 = mini-MR16, 10W Other styles available. Please consult your sales representative.	-NEXTN	Blank = 120/347Vac, 6Vdc L062 = 120/277Vac, 6Vdc	Blank = factory white -BK = black -GY = grey* *Available with white or black heads	Blank = no options -D = time delay 15 min. -TP = tamper proof screws -G = green letters NEX = NEXUS® interface* 990.0119-RL = tamper proof bit** *Consult your sales representative for options available with NEXUS® System. **One bit per order. Sold separately.

EXAMPLE: SM28-2RT9-NEXTN