



SM-CX5000 Series

Extruded Aluminum
Combination Unit – 6/12V

Project/Location: _____

Contractor: _____

Date: _____

Prepared by: _____

Features

Exit Sign

- Extruded aluminum frame and faceplate
- Universal, field-selectable chevrons (knockout)
- ALINGAP LED technology
- NEXUS® compatible

Power Pack

- Completely self-contained unit with rechargeable sealed lead battery
- Lamp heads require no tools to adjust or aim

Typical Specification

Supply and install the Ready-Lite **SM-CX5000** LED exit sign and power pack combination series. The exit frame shall be constructed of rugged extruded aluminum. The faceplate shall be constructed of extruded aluminum. The exit sign shall have a maximum depth of 2-1/2". The faceplate(s) shall come standard with knockout chevrons.

The light source shall be light emitting diodes (LED) of **ALINGAP** technology. The LED lamps shall provide illumination in normal and emergency operation and shall be mounted inside the exit housing, not on the face. An LED-sensitive diffuser shall be mounted behind the legend to provide the 6" high by 3/4" stroke letters with even illumination.

The power pack shall be a completely self-contained emergency unit with its own charger and rechargeable battery. The housing shall be made of steel, painted factory white. The unit shall be designed to furnish exit illumination from the normal AC source. When a power failure occurs the mounted heads along with the exit sign are illuminated in emergency mode for a minimum of 30 minutes. The power pack is furnished with a test switch and high charge pilot light and is available as either 18, 36 or 72 watts.

The heads shall require no tools to adjust and aim. The heads will be constructed of a durable thermoplastic construction and use 6 volts, 9 watts lamps or as otherwise specified.

The exit sign shall be certified CSA-C860.

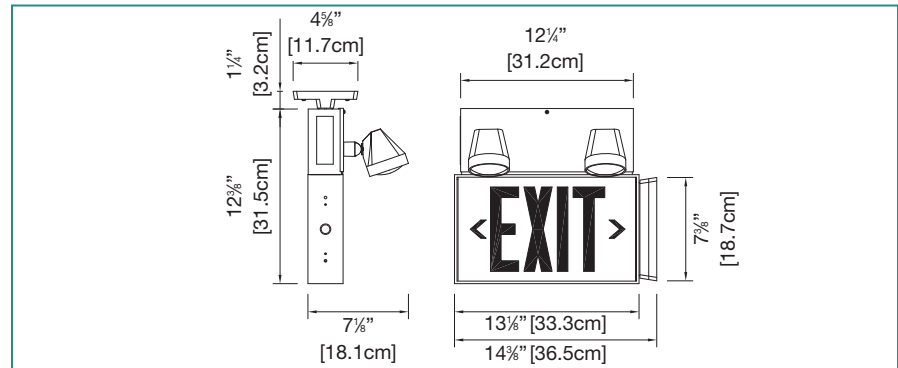
The equipment shall be Ready-Lite model: _____.



Wire Guards

460.0081-RL	Wall Mount
460.0060-RL	Ceiling Mount

Dimensions



Power Consumption and Unit Rating

Model	AC Specs	Wattage Capacity					
		30min	1h00	1h30	2h00	4h00	
Exit Sign	120 / 347Vac	Less than 1.5W	-	-	-	-	
SMCX = 6V-18W		0.15/0.05 Amp	18	10	7	6	3
SMCX = 6V-36W		0.15/0.05 Amp	36	21	15	12	6
SMCX = 12V-36W		0.18/0.07 Amp	72	42	30	24	6
SMCX = 6V-72W		0.18/0.07 Amp	36	21	15	12	12
SMCX = 12V-72W		0.15/0.05 Amp	72	42	30	24	12

Ordering Information

Powerpack	Number of Heads	Head Style and Wattage	Sign Series	Voltage	Colour	Options
SM18 = 18W SM36 = 36W SM72 = 72W	Blank = no head 1 = one head 2 = two heads	RT9 = mini-tungsten, 9W RQ8 = mini-halogen, 8W RQ12 = mini-halogen, 12W RM6 = mini-MR16, 6W (6V only) RM10 = mini-MR16, 10W (6V only) RM12 = mini-MR16, 12W (12V only) RM20 = mini-MR16, 20W (12V only) Other styles available. Please consult your sales representative.	-CX5100 = single face -CX5200 = double face	Blank = 120/347Vac - 6Vdc L120 = 120/347Vac - 12Vdc L062 = 277Vac - 6Vdc L122 = 277Vac - 12Vdc	Blank = factory white BK = black GY = grey* BA = brushed aluminum*	D = time delay 15 min. AD = self-diagnostic R1 = radio controlled test receiver G = green letters NEX = NEXUS® system interface* NEXRF = wireless NEXUS® system interface* *Consult your sales representative for options available with NEXUS® System.

EXAMPLE: SM181RT9-CX5100

