



RX1000



RS

# RX1000 & RS Series

## Power Free Exit Sign

Project/Location: \_\_\_\_\_

Contractor: \_\_\_\_\_

Date: \_\_\_\_\_

Prepared by: \_\_\_\_\_

### Features

- Illumination is provided by borosilicate glass tubes, internally coated with zinc sulphide phosphor and filled with tritium gas
- Minimum brightness at time of manufacture is .132 foot-lambert
- Decorative, slim-line, heavy-duty ABS housing
- Rugged, impact-resistant polycarbonate face
- Spark free construction
- Simple installation – universal directional capability, includes universal mounting hardware
- Withstands extreme temperatures, in outdoor or indoor applications
- Standard 12-year life expectancy, 15-year life expectancy available as an option



### Typical Specification

Supply and install the Ready-Lite **RX & RS Series** self-luminous exit signs.

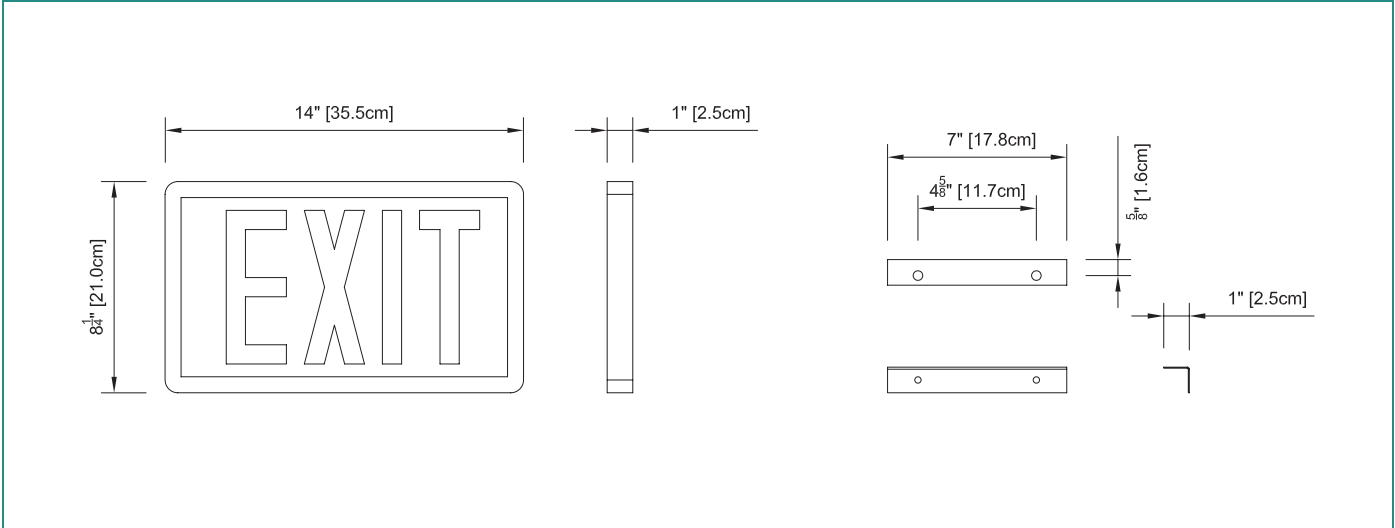
The exit sign shall be constructed of extruded thermoplastic, completely corrosion proof. The sealed housing shall incorporate no loose or removable parts, allowing for easy installation. The standard life expectancy shall be 12 years, with a minimum life of 10 years. The standard mounting brackets shall allow for either end, ceiling or wall mount. Standard exit signs shall be supplied with a grey frame, white letters 6" in height with a 3/4" stroke, on a red background. The initial average minimum brightness shall be .132 foot-lambert.

The exit sign shall be Ready-Lite Model - \_\_\_\_\_.

### Wire Guards

460.0079-RL	Wall Mount
460.0027-RL	End Mount
460.0028-RL	Ceiling Mount

### Dimensions - sizes apply to both series



### Ordering Information

Series	Life Years	Housing Colour	Background Colour	Options
<b>RX10</b> = exit, single face <b>RX20</b> = exit, double face	<b>12</b> = 12 years <b>15</b> = 15 years	<b>BLANK</b> = white <b>BK</b> = black <b>G</b> = grey	<b>Blank</b> = red <b>G</b> = green	<b>BIL</b> = bilingual c/w 3" letters

EXAMPLE: RX1012BIL