



N-TUF Series

NEMA-4X Certified Combination Units

Project/Location: _____

Contractor: _____

Date: _____

Prepared by: _____

Features

- NEMA-4X certified for wall or ceiling mount
- NSF certified for food processing
- High efficiency MR16 lamps up to 12V, 12W halogen or white LED emergency lights
- Continuous self-diagnostic monitoring and monthly self-testing
- Fully automatic charger is solid state
- Non-intrusive magnetic test switch
- Cold weather (-40°C) option
- Comes standard with tamper proof screws
- Sealed Ni-Cad batteries



Typical Specification

Supply and install Ready-Lite **N-TUF** LED exit sign and power pack series. The equipment shall operate under two input voltages: 120Vac or 347Vac. The equipment frame shall be of industrial grade polyvinyl chloride with a gasket around lenses and canopy designed specifically for hostile environments. The unit shall be certified for NEMA-4X and designed specially for high abuse areas, wet location, and cold weather (CW option). The faceplate(s) shall be constructed of heavy-duty vandal-resistant polycarbonate and features an even illuminated legend. The legend light source shall be light emitting diodes (LED). Red LED technology shall be **ALINGAP**. Emergency lights shall be fully adjustable and high efficiency MR16 lamps. The battery shall be sealed Nickel-Cadmium.

The Ready-Lite Advanced Diagnostic Micro-controller board shall supply the rated load for a minimum of a 1/2 hour to 87,5% of the rated battery voltage. The unit shall be rated 120/347V, 60Hz and be CSA listed. The unit shall have an output of ____ volts.

The charger shall at first bulk recharge the battery, then when the battery is at full capacity, the charger will shut-off and thereafter periodically pulse charge to top off the battery. This pulse-type charger promotes long battery life and reduces the potential for grid corrosion. Its charge voltage is factory set to ± 1% tolerance and temperature compensated. The charger has the functions of Lockout and Brownout Circuits, and Low Voltage Disconnection. It protects the unit from over-current, short-circuit, and reverse polarity.

The unit shall self-test for 1 minute every 30 days, 10 minutes on the 6th month and 30 minutes every 12 months. The unit shall be capable of full recharge in compliance with CSA specifications. The unit shall be furnished with a magnetic test switch. A "Service Required" lamp shall be located near the test switch and flash when a fault is detected. A four-LED diagnostic display shall be located inside the equipment and shall identify the source of failure (battery, charger circuitry, or lamps).

The exit sign shall be certified CSA-C860. The unit shall be Ready-Lite model: _____.

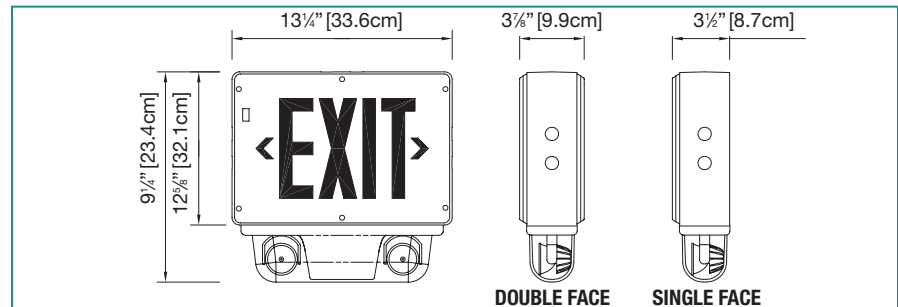
Wire Guards with heads

460.0078-RL	Wall Mount
460.0060-RL	End or Ceiling Mount

Wire Guards without heads

460.0079-RL	Wall Mount
460.0027-RL	End Mount
460.0028-RL	Ceiling Mount

Dimensions



Power Consumption and Unit Rating

Model	AC Specs	Wattage Capacity					
		30min	1h00	1h30	2h00	4h00	
Exit Sign Module	120 / 347Vac	Less than 2W	-	-	-	-	-
NM36		0.15 / 0.05 Amp	36	30	20	15	8
NM36-CW		0.25 / 0.08 Amp	36	30	20	15	8
N12M60		0.27 / 0.09 Amp	60	40	40	24	12

Ordering Information

Series	Number of Heads	Lamp/Wattage	Faces	Housing/Face Colour	Voltage	Options
NM36 = 6V - 36W NEMA-4X N12M60 = 12V - 60W NEMA-4X	Blank = 0 heads 2 = two heads	MI = MR16, 6V - 6W MJ = MR16, 6V - 10W MK = MR16, 12V - 12W LD7 = LED, 12V - 4W	TUF1 = single face TUF2 = double face	WH = factory white/white WB = factory white/black BK = black/black BW = black/white GY = grey/grey GW = grey/white GB = grey/black	Blank = 120/347Vac U277 = 120/277Vac	Blank = no option CW = cold weather (-40°C)* FA = flasher (fire alarm activated) F/B = flasher/buzzer (a.c. power failure)** FL = flasher (a.c. power failure) G = green letters NEX = NEXUS® System Interface***

EXAMPLE: NM362MITUF1WH