

Project/Location: \_\_\_\_\_

Contractor: \_\_\_\_\_

Date: \_\_\_\_\_

Prepared by: \_\_\_\_\_

# Ultima™ Series

## Thermoplastic Combination Unit



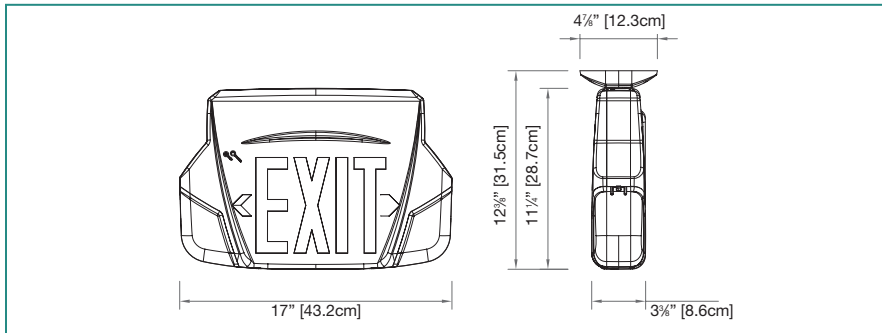
### Typical Specification

Supply and install the **Ultima™ Series** combination of unit equipment and exit sign. The standard equipment shall operate with a dual voltage input of 120/347VAC. The unit shall be suitable for wall or ceiling mount. The unit frame and face plates shall be made of injection-molded durable high-impact thermoplastic and come standard with snap in/out chevrons. No screws are necessary to hold the faceplate or backplate to the housing. The one piece thermoplastic frame is molded in white (optional black). The faceplates shall feature a uniformly illuminated legend. The light source shall be light emitting diodes (LED) and shall provide illumination in normal and emergency operation and shall be mounted inside the housing. Red LED technology shall be **ALINGAP**. An LED-sensitive diffuser shall be mounted behind the legend to provide the 6" high by 3/4" stroke letters with even illumination. The unit shall be equipped with two emergency heads with tool-less adjustable swivels (lamps of 12W or less) and long-life MR-16 halogen lamps of \_\_\_\_ V and \_\_\_\_ W. Each lamp shall be protected by a snap-on, shock-absorbent, transparent polycarbonate cover.

The unit shall be equipped with a test switch and a green pilot light, located above the EXIT legend. The battery charger shall be driven by a micro-controller. All electronic circuitry (charger, LED driver, LED's) shall be installed on a single printed circuit board PCB. The unit equipped with self-testing / self-diagnostic features shall automatically self test for one minute every 30 days, 10 minutes in the 6th month and 30 minutes annually. When a fault is detected, the bi-colour pilot-light shall turn from green to red and shall flash, identifying the source of the failure: battery, charger circuitry, lamp load, LED strip. The exit sign module shall be CSA-C860 approved.

The combo unit shall be Ready-Lite model: \_\_\_\_\_.

### Dimensions



### Features

The **Ultima™ Series** of combination units (unit equipment with an exit sign) are designed to complement designer's look and ease of installation with performance and cost-competitiveness.

- One-pack combination of battery unit and exit sign, a compact and contemporary design
- Durable injection-molded thermoplastic housing with push-to-snap design
- Available in single or double face configurations both with means for ceiling mounting
- Comes with the Ready Light Ultima™ EZ2 canopy and field-selectable snap chevrons for quick and easy installation
- Exit sign module illuminated by long-life **ALINGAP** red LEDs
- Two MR16 halogen lamps, shielded by a clear polycarbonate cover
- Optional MR16 LED lamps with life expectancy 50,000+ hours
- Sealed, maintenance-free, Lead-Calcium or Nickel-metal-hydride batteries
- Remote load capacity, up to 92Watts
- Dual voltage input: 120/347 VAC or 120/277 VAC.
- Optional advanced diagnostic circuitry, flasher/buzzer, fire alarm activated flasher
- Optional vandal resistant shield with tamper proof screws
- Certified CSA C22.2 No141
- Certified CSA C860-01



Made in Canada



### Power Consumption and Unit Rating

Model	AC Specs	Wattage Capacity				
		30min	1h00	1h30	2h00	4h00
Exit Sign module	120 / 347Vac	Less than 2W	-	-	-	-
L20		0.11/0.04 Amp	20	15	12	8
L50			50	30	24	16
12L50			50	30	24	16
12H5		0.22/0.08 Amp	50	36	24	18
12H10			100	72	48	36

### Ordering Information

Powerpack	Number of Heads	Head Style and Wattage	Sign Series	Voltage	Colour	Legend	Options
<b>L20</b> = 6V-20W Lead cal <b>L50</b> = 6V-50W Lead cal <b>12L50</b> = 12V 50W Lead cal <b>12H5</b> = 12V-50W Nimh <b>12H10</b> = 12V100W Nimh	<b>Blank</b> = no heads <b>-2</b> = two heads	<b>M6</b> = 6V-6W MR16 <b>M10</b> = 6V or 12V, 10W MR16 <b>M12</b> = 12V-12W MR16 <b>LD7</b> = 12V-4W LED MR16	<b>-ULT1</b> = single face ceiling or wall mount <b>-ULT2</b> = double face ceiling mount <b>-ULT1N</b> = single face wall mount (less canopy)	<b>3</b> = 120/347Vac <b>2</b> = 120/277Vac	<b>W</b> = factory white <b>B</b> = black	<b>Blank</b> = red letters <b>G</b> = green letters	<b>Blank</b> = no options <b>AD</b> = self-diagnostic <b>ADN</b> = self-diagnostic non-audible <b>D3</b> = 15 min. time delay <b>FZ</b> = flasher buzzer <b>FA</b> = fire alarm activated flasher <b>FBF</b> = flasher buzzer + fire alarm activated flasher <b>990.0119-RL</b> = tamper proof bit* *One bit per order. Sold separately.

EXAMPLE: L20-2M6-ULT13W