

Project/Location: _____

Contractor: _____

Date: _____

Prepared by: _____

CXL3000BIL & CSL3000BIL Series

Bilingual Edge-Lit Exit Sign



Typical Specification

Supply and install the Ready-Lite **CXL3000BIL** or **CSL3000BIL Series** LED bilingual Edge-Lit exit sign. The equipment shall operate with universal two-wire AC input voltage from 120V to 347Vac at less than 8.6 watts and universal two-wire DC input voltage from 6V to 48Vdc at less than 4.5 watts for single and double face signs. The housing assembly shall be fabricated of aluminum and consist of a universal aluminum back box. The back box shall be provided with conduit knockouts on top, back, and end. The trim plate shall have a round shape and attach to the housing assembly with two (2) torsion spring retainers, thereby eliminating all visible hardware. The LED light strip shall be contained within the trim plate. The red LED technology shall be AlInGaP. The polished acrylic face panel shall have precision etched 6" high by 3/4" stroke red letters with a white, clear or mirror background with the words EXIT and SORTIE side by side.

The exit sign in a self-powered configuration shall stay illuminated during emergency operation for at least 30 minutes upon AC failure.

The exit sign shall be CSA-C860 certified.

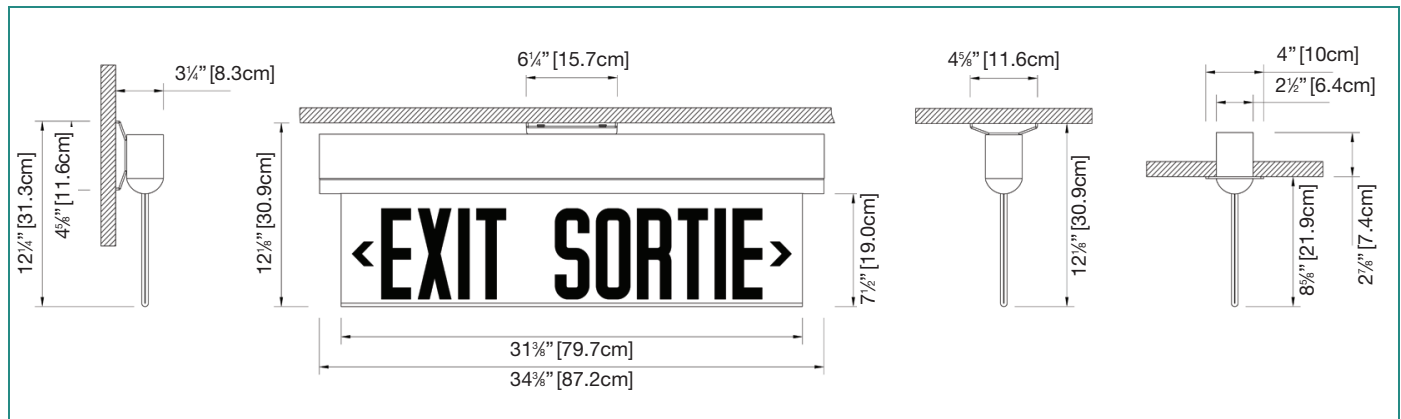
The exit sign shall be Ready-Lite model: _____.

Features

- Universal back box designed for surface or semi-recessed mounting on ceilings or walls
- Modular retainer clips allow "snap-in" installation of face panel after installation of back box
- Extruded acrylic panels with precision-etched lettering legend
- LED strip design allows proper rotation for either ceiling or wall mounting
- Energy efficient: consumes less than 8.6 watts in AC or DC mode



Dimensions - sizes apply to both series



Power Consumption

Model	AC Specs		DC Specs	
	AC/DC red	120 to 347Vac	Less than 8.6W	6 to 48Vdc
AC/DC green	120 to 347Vac	Less than 8.6W	NiCad battery	Min. 30 minutes

Ordering Information

Series	Faces	Housing Colour	Faceplate Colour	Chevrons	Voltage	Approval (required field)	Options
CXL = exit/sortie CSL = sortie/exit	3100 = single face 3200 = double face	Blank = factory white BA = brushed aluminum BK = black	RC = red/clear* RW = red/white RM = red/mirror	NA = no chevrons AR = chevron right AL = chevron left DA = double chevrons ALR = one chevron each side, double face	DC = 120Vac to 347Vac, 6Vdc to 48Vdc SP = 120Vac to 347Vac, self-powered	-BIL	Blank = surface mount R = recessed mount* *Contact your sales representative.

EXAMPLE: CXL3100RCNADCBIL