

# ESCAPE™ Series

## CX6000

### 120/347 AC Input, Self-Powered Universal Exit Sign



## Versatile, highly-efficient, energy-saving illumination

The **CX6000 Series** have universal 120/347Vac input and are available in AC only or internally self-powered models, eliminating the need for running DC circuits, costly conduit and reducing installation costs.

### Features

- Injection-molded thermoplastic housing
- Innovative, snap together design allows for fast installation
- Universal 120/347 AC input
- Universal mount comes complete with 2 faceplates, 1 back plate, and 1 canopy
- Replaceable knockout directional chevron's
- Replaceable Ni-Cad battery provided (self-powered only)
- Provides over 2 hours of continuous emergency illumination (self-powered only)
- Also available with power pack; see C50/CX6000 catalogue sheet
- Low energy consumption LED light source
- CSA certified, meets or exceeds C860-01 and NRCAN/C860-01 requirements
- Energy efficient – consumes less than 2.5 watts in AC or DC mode
- The self-powered version is also CSA C22.2 No. 141 certified



**READY-LITE™**



Project/Location:

Date:

Contractor:

Prepared by:

# Escape™ CX6000 Series



## Typical Specification

The Contractor will install the READY-LITE™ Escape™ CX6000 Series Exit. The exit shall be suitable for wall, end, or ceiling mount. The face shall be constructed of a durable high impact thermoplastic. No screws are necessary to hold the face plate or canopy to the housing. The face plates shall come standard with snap out chevron's. The frame shall be constructed of a one-piece thermoplastic mold and comes completely standard factory white. This sign shall be universal 120/347 AC input and comply to C860-01. The Exit in self-powered configurations will stay illuminated during emergency operation for no less than 2 hours upon AC failure.

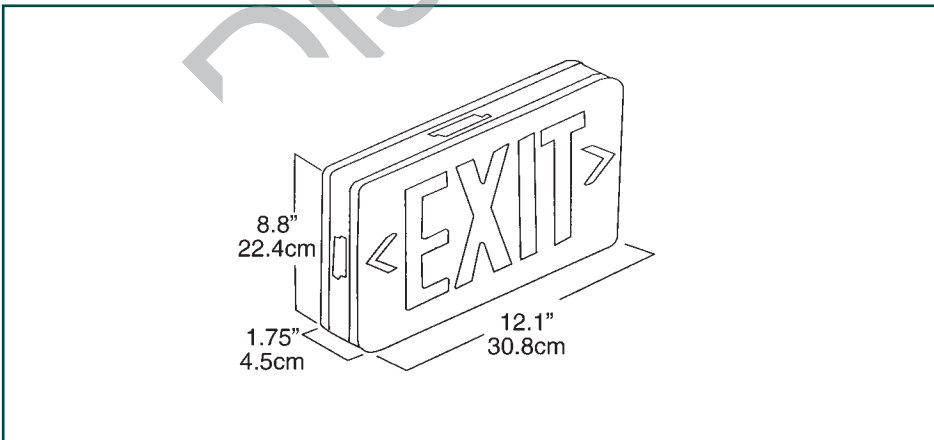
The exit sign shall be CSA-C860 and NRCAN/C860-01 approved.

The exit sign shall be READY-LITE™ Model - \_\_\_\_\_.

## Power Consumption

Model	AC Specs		DC Specs	
AC only, red	120/347Vac	Less than 2.5W	–	–
Self-powered red	120/347Vac	Less than 2.5W	NiCad battery	Min. 2 hours

## Dimensions



## Wire Guards

460.0079	Wall Mount
460.0027	End Mount
460.0028	Ceiling Mount

## Ordering Information

Series	Colour	A.C. Input Voltage
CX6000= LED plastic universal exit sign	Blank= factory white	Blank= 120/347Vac only SP= self-powered

EXAMPLE: CX6000SP