

Project/Location: _____

Contractor: _____

Date: _____

Prepared by: _____

CX4000BIL & CS4000BIL Series

Bilingual Extruded Aluminum Exit Sign



Typical Specification

Supply and install the Ready-Lite **CX4000BIL** or **CS4000BIL Series** LED bilingual exit sign. The equipment shall operate with universal AC input voltage of 120/347Vac at less than 2 watts and universal two-wire DC input voltage from 6V to 24Vdc at less than 2.5 watts for single and double face signs. The exit sign shall consist of a combined, extruded aluminum body/faceplate with a maximum depth of 1-1/4". The exit sign shall also include extruded aluminum end caps c/w gaskets in order to provide protection to the internal components and eliminate any possible light leaks. The exit sign shall be either single or double-faced as shown on the drawings. The faceplate shall be of a stencil design and incorporate 6" high letters with a 3/4" stroke, with the words EXIT and SORTIE side by side. The canopy shall fasten to the exit body for ease of installation in either ceiling or end to wall mount. The fixture shall contain a long life LED light source consisting of separate AC and DC LED sources in the case of AC/DC remote equipment. The red LED technology shall be **AllnGaP**. The exit sign in a self-powered configuration shall be equipped with a Nickel-Cadmium battery and shall stay illuminated during emergency operation for at least two (2) hours upon AC failure.

The exit sign shall be CSA-C860 certified.

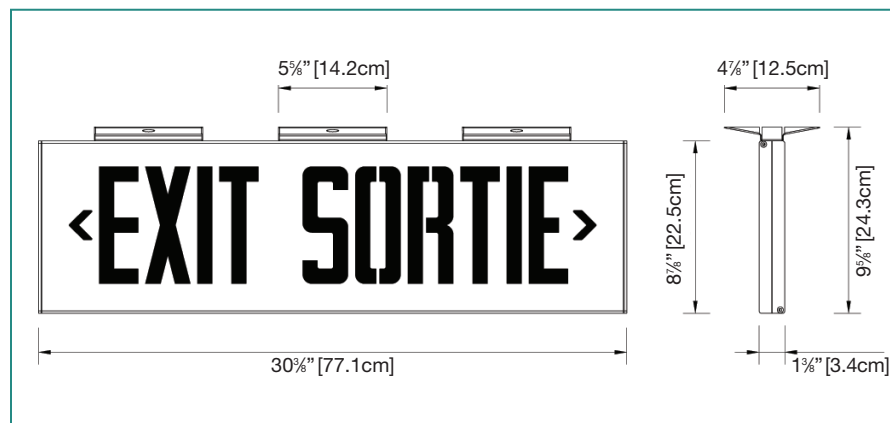
The exit sign shall be Ready-Lite model: _____.

Features

- Thin profile, two-piece extruded aluminum housing, simply slides together
- Mounting to be pre-specified
- Standard field-selectable directional knockout chevrons
- Energy efficient: consumes less than 7 watts in AC or DC mode
- Normal AC and emergency DC operation – 120/277/347Vac and 6V to 24Vdc input



Dimensions - sizes apply to both series



Wire Guards

460.0059-RL	Wall Mount
460.0092-RL	Ceiling Mount

Power Consumption

Model	AC Specs		DC Specs	
	AC Input	Power	DC Input	Power
AC/DC standard red legend	120 / 347Vac	Less than 2W	6 to 24Vdc	Less than 2.5W
AC/DC special red legend	120 / 277 / 347Vac	Less than 2W	36, 48 or 120Vdc	Less than 6W
120 Vac/DC 2-wire, red	120Vac	Less than 6W	120Vdc	Less than 6W
Self-powered red legend	120 or 347 Vac*	Less than 7W	Ni-Cad battery	Min. 2 hours

*AC input voltage must be specified. For other voltages, please contact factory.

Ordering Information

Series	Faces	Approval	Colour	Voltage	Options
CX4 = exit/sortie CS4 = sortie/exit	000 = single face, wall mount 100 = single face, ceiling mount 200 = double face, ceiling mount	BIL	WH = polar white BK = black TA = textured aluminum	-UL = 120/277/347Vac, 6 to 24Vdc -LU36 = 120/277/347Vac - 36Vdc -LU48 = 120/277/347Vac - 48Vdc -LU120 = 120/277/347Vac - 120Vdc -ISP = 120Vac, self-powered -ISP3 = 347Vac, self-powered	TP = tamper proof screws 990.0119-RL = tamper proof bit*

*One bit per order. Sold separately.

EXAMPLE: CX4000BILTA-UL