

Project/Location: _____

Contractor: _____

Date: _____

Prepared by: _____

CNEXTN & CNSXTN Series

Bilingual Steel Exit Sign



Typical Specification

Supply and install the Ready-Lite **CNEXTN** or **CNSXTN Series** LED bilingual exit sign. The equipment shall operate with universal AC input voltage of 120V to 347Vac at less than 2 watts and universal two-wire DC input voltage from 6V to 24Vdc at less than 3.5 watts for single and double face signs. The frame shall be of a one-piece steel construction and have a maximum depth of 2-1/8" with a factory white finish. The faceplates shall be constructed of factory white steel and be supplied with standard knockout chevrons. The equipment shall include two (2) canopies for ceiling installation. The light source shall be light-emitting diodes (LED). The LED lamps shall provide illumination in normal and emergency operation and shall be mounted inside the exit housing, not on the face. The red LED technology shall be AlInGaP. An LED-sensitive diffuser shall be mounted behind the legend to provide the 6" high by 3/4" stroke letters with the words EXIT and SORTIE side by side with even illumination. The exit sign in a self-powered configuration shall stay illuminated during emergency operation for at least 60 minutes upon AC failure.

The exit sign shall be CSA-C860 certified.

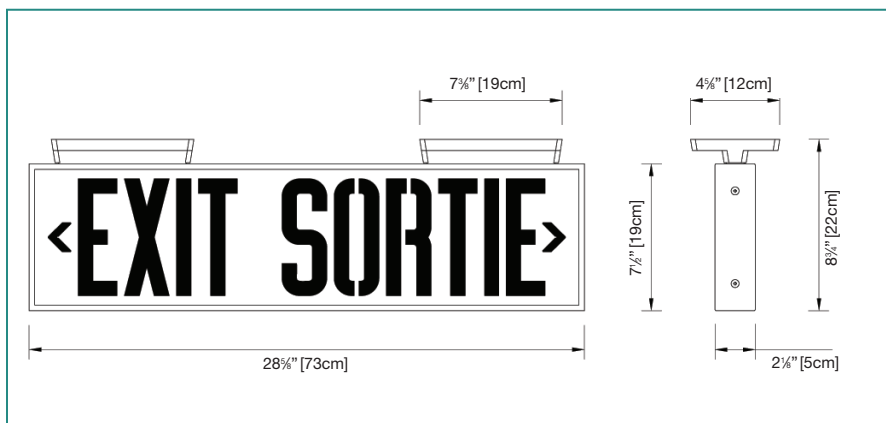
The exit sign shall be Ready-Lite model: _____.

Features

- Single illumination module lights both single and double face exit signs
- Energy efficient – consumes a maximum of 5 watts in AC or DC mode
- Normal AC and emergency DC operation – 120V to 347Vac and 6V to 24Vdc input
- The self-powered version is also CSA C22.2 No. 141 certified



Dimensions - sizes apply to both series



Wire Guards

460.0059-RL	Wall Mount
460.0092-RL	Ceiling Mount

Power Consumption

Model	AC Specs		DC Specs	
	AC Input	Power	DC Input	Duration
AC/DC standard red legend	120 / 277 / 347Vac	Less than 2W	6 to 24Vdc	Less than 3.5W
AC/DC special red legend	120 / 277 / 347Vac	Less than 5W	36, 48 or 120Vdc	Less than 5W
Self-powered red legend	120 to 347Vac	Less than 5.8W	Ni-Cad battery	Min. 60 or 120 minutes

Ordering Information

Series/Lettering	Face	Colours	Voltage	Options
CNEXTN = led exit/sortie 6" letters CNSXTN = led sortie/exit 6" letters	11 = single face 12 = double face	WH = factory white GY = grey BK = black	-LU = 120 to 347Vac, 6 to 24Vdc -L120-2W = 120Vac - 120Vdc 2 wires -LU36 = 120/277/347Vac - 36Vdc -LU48 = 120/277/347Vac - 48Vdc -LU120 = 120/277/347Vac - 120Vdc -ISP = self-powered 120 to 347Vac -ISP2 = 120 to 347Vac, 120 minutes duration (self-powered only)	Blank = 2 canopies supplied -TP = tamper proof screws -VRSTP = polycarbonate shield with tamper proof screws -3C = 3 canopies 990.0119-RL = tamper proof bit** **One bit per order. Sold separately.

EXAMPLE: CNEXTNIIWH-LU