

Project/Location:

Contractor:

Date:

Prepared by:

Legend™ Series

Recessed Pot-Lites

Decorative Recessed Fixture



Typical Specification

Recessed heads and housings:

The contractor will supply and install Ready-Lite **Legend™** internally self-powered Series. The unit will have a dual input 120/347 Vac 60Hz. Recessed heads will be constructed of a durable powder coated or electroplated, die cast aluminum construction and use MR16 halogen light sources and a 5 year NiCad battery.

The recessed head shall be adjustable to 0-90° vertical and 0-350° horizontal angle. The light source will be 6 volts 6 watts MR16 halogen narrow beam or otherwise specified. The unit shall be equipped with a sealed, high-temperature NiCad battery which will supply the emergency lamp a minimum of 30 minutes of illumination in the event of a power failure.

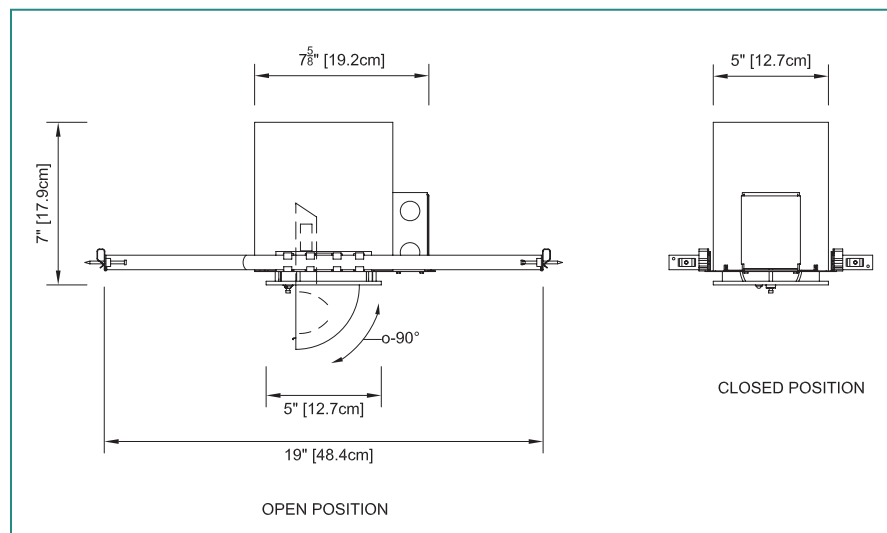
The unit shall be Ready-Lite model: _____.

Features

- Durable, powder-coated or electroplated die-cast aluminum construction
- Quick disconnect feature for easy trim installation; easy to access for maintenance
- High performance MR16 halogen light source
- Maintenance-free, sealed nickel cadmium battery
- Fully automatic, solid-state Pulse-Guard charger with low voltage battery disconnect, brownout protection, integral test switch and long-life LED AC-On pilot lights
- Charger is designed for NiCad continuous trickle charge and is reverse polarity protected
- Also available as a remote fixture; see Remote Fixtures section of this catalogue
- Recessed, directional, retractable trim



Dimensions



Replacement Lamps

Ordering Code	Type	Voltage-Wattage
580.0074-RL	MR16	6V-6W
580.0079-RL	MR16	6V-10W

Power Consumption and Unit Rating

Model Number	AC Specs		Emergency power available for lamps				
			30min	1h00	1h30	2h00	4h00
RLR2	120 / 347 Vac	0.08 / 0.03 Amp	10W	-	6W	-	-

Ordering Information

Series	Colour	Standard	Lamp Wattage
RLR2	WH = white BK = black BN = brushed nickel CH = chrome PB = polished brass	SP-C = self-powered	Blank = 6 watts, MR16 10 = 10 watts, MR16

EXAMPLE: RLR2WHSP-C