



# Legend™ Deco Cab Series

## 6, 12 and 24 Volts Decorative Battery Units

Project/Location: \_\_\_\_\_

Contractor: \_\_\_\_\_

Date: \_\_\_\_\_

Prepared by: \_\_\_\_\_

### Features

- Rugged steel cabinet with corrosion-resistant undercoating
- Solid-state pulse-type charger – current-limited, temperature-compensated, short-circuit proof and reverse-polarity protected.
- Electronic lockout and brownout circuits
- Removable front panel on cabinet provides easy access and allows unit to be mounted at ceiling height
- Sealed dust-proof transfer relay, test switch and LED indicator lights continuously monitor unit status
- Long-life, maintenance-free lead acid battery
- NEXUS® compatible



### Typical Specification

Supply and install the Ready-Lite Legend™ Deco Cab Series battery units. The battery unit shall come complete with MR 16 heads. The battery unit will supply the rated load for a minimum of 30 minutes to 87.5% of the rated battery / voltage. The unit shall be rated 120 or 347V, 60 Hz and be CSA listed. The charger shall be fully computer tested and its charge voltage factory set to + or – 1% tolerance. A pulse type charger shall be employed to promote long battery life and reduce the potential for grid corrosion. The charger shall provide continuous high charge to recharge the battery. When the battery is at full capacity the charger will shut off. The pulse charge shall be current limited and precisely regulated by a micro-processing circuit which samples the battery in relation to its temperature, state of charge and input voltage fluctuations. The charger shall be current limited, temperature compensated, short circuit proof and reverse polarity protected. The unit shall be furnished with an electronic lockout circuit, which will connect the battery when the AC circuit is activated, and an electronic brownout circuit, which will activate the emergency lights when utility power dips below 75% of nominal voltage. A low voltage battery protection circuit will disconnect the battery at end of the discharge. The unit will come complete with the Distinction Series diagnostics micro-controller board option. The unit shall self-test for 1 minute every 30 days, 10 minutes on the 6th month and 30 minutes every 12 months. The unit shall be furnished with a sealed dust tight relay, a selectable test switch 1 minute, 5 minutes, 10 minutes or 20 minutes and diagnostics LED indicator lights to continuously monitor the status of the unit: battery failed, battery disconnect, charger failure, lamp failure, service alarm, AC “ON” and charger “ON”.

The fixture shall be Ready-Lite model: \_\_\_\_\_

### Power Consumption and Unit Rating

Model Number	AC Specs	Emergency power available for lamps					
		30min	1h00	1h30	2h00	4h00	
LDX636	120 / 347Vac	0.10 / 0.04 Amp	36	21	15	12	6
LDX672		0.22 / 0.08 Amp	72	42	30	24	12
LDX6108		0.22 / 0.08 Amp	108	63	45	36	18
LDX6180		0.22 / 0.08 Amp	180	105	75	60	30
LDX1272		0.15 / 0.06 Amp	72	42	30	24	12
LDX12100		0.34 / 0.12 Amp	100	58	42	33	17
LDX12144		0.40 / 0.14 Amp	144	84	60	48	24
LDX12216		0.41 / 0.14 Amp	216	120	90	72	36
LDX12250		0.41 / 0.14 Amp	250	144	100	83	42
LDX12360		0.43 / 0.15 Amp	360	300	210	170	80
LDX24144		0.55 / 0.20 Amp	144	84	60	48	24
LDX24200		0.67 / 0.23 Amp	200	117	83	67	33
LDX24288		0.67 / 0.23 Amp	288	168	120	96	48
LDX24350		0.67 / 0.23 Amp	350	200	144	120	60
LDX24432		0.67 / 0.23 Amp	432	250	180	144	72
LDX24720		0.88 / 0.33 Amp	720	600	420	340	160

Project/Location:

Contractor:

Date:

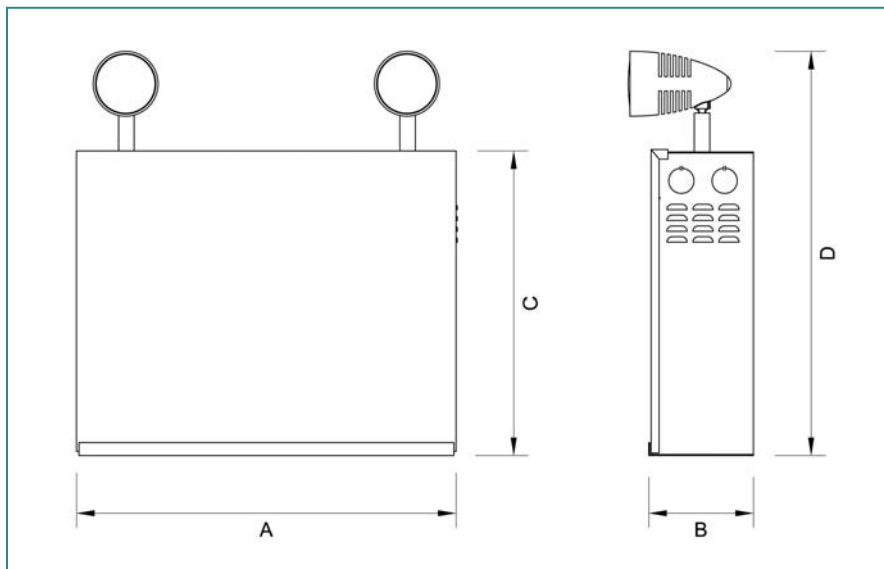
Prepared by:

# Legend™ Deco Cab Series

6, 12 and 24 Volts  
Decorative Battery Units



## Dimensions



## Wire Guards

460.0078-RL	Wall Mount - "A" Cabinet
460.0081-RL	End Mount - "B" Cabinet
460.0034-RL	Ceiling Mount - "C" Cabinet

## Dimensions

Cabinet	Dimensions			
	a	b	c	d
A	13¼ in. [33.4 cm]	3 in. [9.2 cm]	10½ in. [26.8 cm]	14¼ in. [36.8 cm]
B	16½ in. [41.0 cm]	5½ in. [13.8 cm]	10½ in. [26.0 cm]	13 in. [35.3 cm]
C	23¼ in. [58.8 cm]	5½ in. [13.8 cm]	10½ in. [26.1 cm]	13 in. [35.3 cm]

## Replacement Lamps

Ordering Code	Lamp Type	Voltage-Wattage
580.0074-RL	MR 16, Flood	6V - 6W
580.0079-RL		6V - 10W
580.0080-RL		12V - 12W

For the complete list please refer to the Lamp Chart on page 113

## Ordering Information

Series	Capacity/ Cabinet Size	Special Options	Number of Heads	Head Style	Lamp/Wattage	Colour	AC Voltage	Options
<b>LDX6=</b> 6 volts  <b>EXAMPLE:</b> LDX6-08AD2RL15010	<b>-36=</b> 36 watts [A]* <b>-72=</b> 72 watts [A] <b>-108=</b> 108 watts [A]* <b>-180=</b> 180 watts [B]*	<b>Blank=</b> standard <b>AD=</b> self-diagnostic <b>ADN=</b> self-diagnostic non-audible <b>NEX=</b> NEXUS® system interface* <b>NEXRF=</b> wireless NEXUS® system interface*	<b>1=</b> one head <b>2=</b> two heads <b>3=</b> three heads	<b>RL150=</b> closed	<b>6=</b> 6V - 6 watts <b>10=</b> 6V - 10 watts <b>12=</b> 12V - 12 watts <b>20=</b> 12V, 24V - 20 watts <b>35=</b> 12V, 24V - 35 watts <b>50=</b> 12V, 24V - 50 watts <b>LD7=</b> 12V-4 watts LED	<b>Blank=</b> polar white <b>BK=</b> black	<b>Blank=</b> 120/347Vac input <b>U277=</b> 277Vac input <b>U220=</b> 220Vac, 50hz input <b>U240=</b> 240Vac input	<b>A=</b> ammeter <b>CT=</b> cabtire <b>D3=</b> time delay 15 min. <b>D6=</b> 6cct. fuse panel <b>IT=</b> AC terminal block <b>LB=</b> light activated test switch <b>LD=</b> lamp disconnect <b>OT=</b> output terminal block <b>R1=</b> remote test receiver <b>R2=</b> remote test transmitter <b>TL=</b> twist lock plug <b>V=</b> voltmeter
<b>LDX12=</b> 12 volts  <b>EXAMPLE:</b> LDX12722RL15020	<b>-72=</b> 72 watts [A]* <b>-100=</b> 100 watts [A]* <b>-144=</b> 144 watts [A]* <b>-216=</b> 216 watts [B]* <b>-250=</b> 250 watts [B]* <b>-360=</b> 360 watts [B]*							
<b>LDX24=</b> 24 volts  <b>EXAMPLE:</b> LDX12722RL15020	<b>-144=</b> 144 watts [A]* <b>-200=</b> 200 watts [B]* <b>-288=</b> 288 watts [B]* <b>-350=</b> 350 watts [C]* <b>-432=</b> 432 watts [C]* <b>-720=</b> 720 watts [C]*	*Please consult your sales representative for output power range and options available with NEXUS® System.						