



# LES Series

## Compact Emergency Lighting Units

Project/Location: \_\_\_\_\_

Contractor: \_\_\_\_\_

Date: \_\_\_\_\_

Prepared by: \_\_\_\_\_

### Features

- Compact 20 gauge satin coat steel cabinet available in factory white, black and grey
- Fully automatic, solid state, voltage sensitive charger with test switch and AC-on pilot light
- Sealed dust-proof transfer relay circuit and low voltage disconnect
- Long-life, maintenance-free sealed lead acid battery
- Choice of tungsten, quartz bi-pin or M16 lamps
- Lampshell constructed of injection moulded, high impact, corrosion resistant thermoplastic
- 120Vac standard input
- CSA C22.2 No. 141 certified

### Typical Specification

The contractor will install the Ready-Lite **LES Series** compact emergency lighting unit. The unit housing shall be made of steel painted factory-white and have external dimensions not larger than 18cm x 7cm x 12cm. The unit dimensions including the emergency heads shall be less than 18cm x 18cm x 12 cm. The unit shall be rated 120Vac 60Hz input and 6Vdc nominal output. The unit shall contain a fully automatic, solid-state battery charger with test switch and AC-on pilot light. The charger shall be computer tested and shall contain low-voltage disconnect circuitry to protect the battery from deep discharge. The battery shall be maintenance-free, sealed lead-calcium and shall supply the emergency heads with power for minimum 30 minutes during an AC power failure. The unit shall include two emergency heads built of flame-retardant thermo-plastic material requiring no tools for adjusting or aiming.

The unit shall be CSA C22.2 no 141.

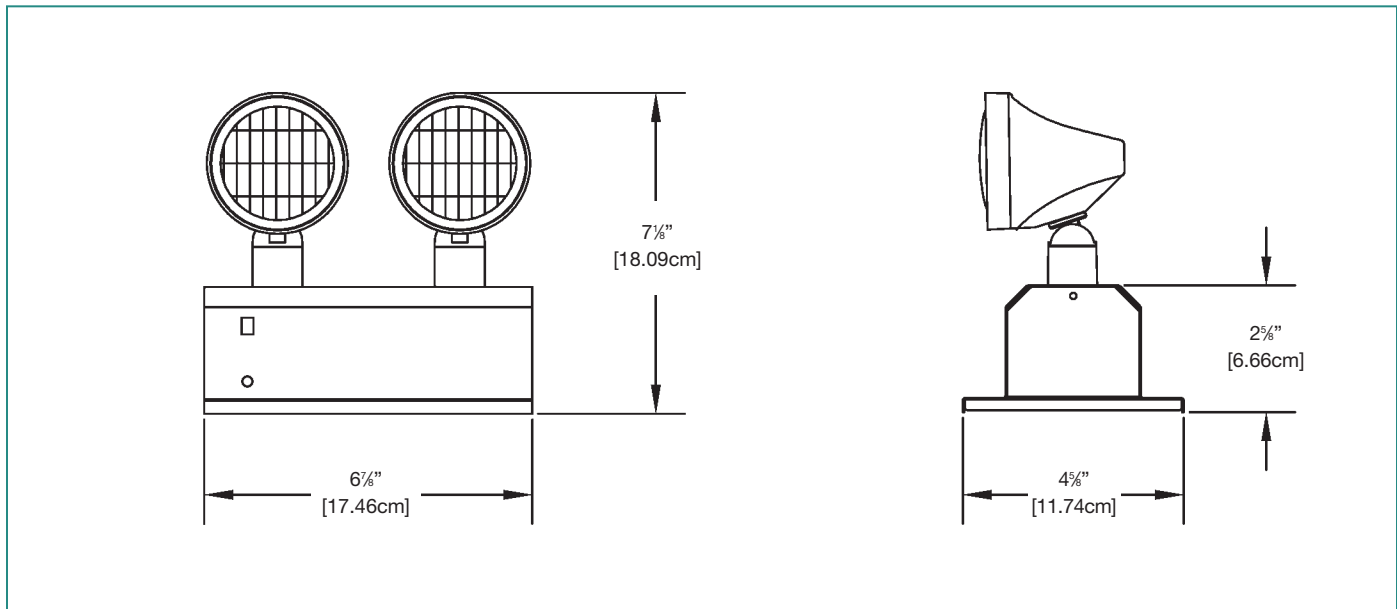
The unit shall be Ready-Lite Model LES: \_\_\_\_\_.



### Lampes de remplacement

Model	Type	Voltage-Wattage
570.0016-RL	Mini tungsten	6V-9W
580.0074-RL	MR16	6V-6W
580.0013-RL	Quartz Bi-Pin	6V-8W

### Dimensions



### Pour commander

Series	Capacity	Number of Heads	Head Style/Wattage	Colour	AC Voltage
LES= 6 volts	18= 18 watts	-1= one head -2= two heads	RT9= mini tungsten, 6V - 9W, wedge base RQ8= mini halogen, 6V - 8W, quartz bi-pin RM6= mini halogen, 6V - 6W, MR16	Blank= factory white BK= black	Blank= 120Vac C/W= line cord

EXAMPLE: LES18/1RT9