

# Cadilite™ Series



The latest addition to the Ready-Lite™ line of emergency lighting products, the Cadilite™ Series combines high performance and elegant design in a low-profile, housing.

- Low profile, slim lines - measures only 6.6" x 9.5".
- Superior illumination.
- Fully gasketed housing, rugged die-cast body and UV-resistant lens.
- Choice of four durable, textured powder coat finishes.
- Fast and easy installation.
- Easy to replace Xenon lamps.

## Features

The Cadilite™ Series is multi-functional and is offered in a variety of configurations for indoor and outdoor applications. All self powered models have a dual voltage input 120/347VAC.

- **RL42 Remote head**  
Typical applications and suitable for wet and cold locations.  
(-40°C to +60°C) Certified to CSA C22.2 No.9.
- **CAD12 Standard interior package\***  
Equipped with sealed lead calcium battery and Pulse-Type charger.  
(+20°C to +30°C) Certified to CSA C22.2 No. 141.
- **CADH12 Exterior package\***  
Perfect solution for cold and/or wet locations. Equipped with NiMH\*\* battery and Auto-Diagnostic charger.  
(-20°C to +40°C) Certified to CSA C22.2 No.141.
- **CADH20 High output package**  
Ideal for applications where the photometric performance of the 10W xenon lamp is required. Equipped with NiMH\*\* battery. Also suitable for wet locations.  
(+20 °C to +30 °C) Certified to CSA C22.2 No.14.

\* CAD12 and CADH12 packages available with 6W lamps only.

\*\* Nickel Metal Hydride: State-of-the art battery technology; Lead-free and Cadmium-free.



Easily accessible, stand alone die-cast back plate with universal knock-out pattern.



Patent pending vacuum metalized die-cast reflector. The multiple conical section reflector was engineered to create a well defined path of light that will guide occupants to safety in case of an emergency.



The front cover includes the battery, reflector and electronics. The connection is done using an AC quick connect plug.



Easy to replace Xenon lamps. Unlike quartz halogen lamps, the Xenon lamps can be easily installed using your fingers.





Project/Location:

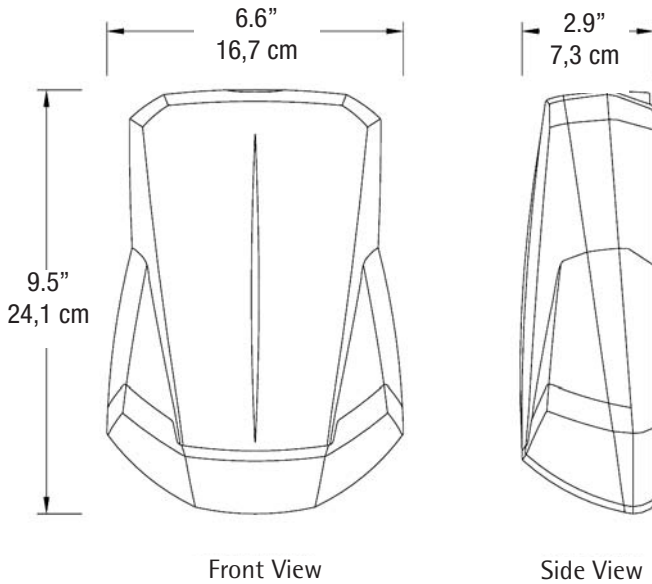
Date:

Contractor:

Prepared by:

# Cadilite™ Series

## Dimensions

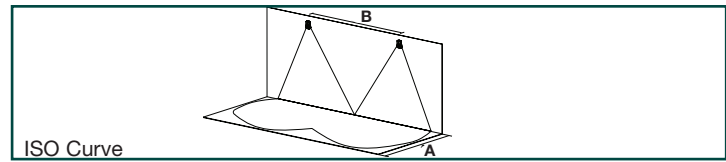


## Typical Specification

Supply and install the Ready-Lite™ Cadilite™ Series battery or remote unit. The Volts \_\_\_\_ Watt battery unit or the remote unit shall come complete with two lamps of \_\_\_\_ Watts and be installed at every \_\_\_\_\_ feet. The wall mount unit shall be made of a gasketed die-cast aluminium housing, UV and impact resistant polycarbonate lens which house a resilient vacuum-plated die-cast reflector and two high-output Xenon lamps. The unit shall be rated 120/347VAC, 60Hz dual input voltage. The battery charger shall include low voltage disconnect to prevent deep discharge. Battery lockout to prevent battery drain prior to energizing the utility power and brownout protection which will automatically switch unit into emergency mode if the utility power falls below 80% of nominal and battery reverse polarity protection. The unit shall provide the nominal load during at least 30 minutes up to 87.5% of the nominal voltage of the battery.

Models with Lead-Calcium batteries shall be equipped with a pulse-type charging circuitry that will secure a long life battery and excellent performance. This current limiting circuitry will minimize energy consumption and shall be factory set with a charging voltage tolerance of ±1% to enable a longer battery life. Red LED shall indicate AC power. Models with Nickel Metal Hydride batteries shall be equipped with the non-audible version of the auto diagnostic that will monitor and indicate any of the following failures, battery disconnect, lamp failure or charger failure.

Bi-color LED shall indicate battery state of charge, test activation and four-state diagnostic status. Fixture shall be suitable for universal mounting on various junction-boxes or surface mount, using rigid conduit entry on the top of the unit. To be supplied in off white, black, platinum gray or dark bronze. The battery unit shall be CSA Certified to C22.2 No.141 and the remote unit shall be CSA Certified to C22.2 No.9 The unit shall be Ready-Lite™ Model- \_\_\_\_\_



ISO Curve

Note: Photometric results shown are based on a simulation using the AGI32 software with a 1 foot-candle average and 0.1 foot-candle minimum with a 40:1 maximum ratio. Ready-Lite assumes no responsibility for local requirements or specific project variables. This is a guideline to be used as a design aid, not a guarantee of any code compliances.

Lamp Wattage	Mounting height	Center-to-Center	
		A=3'	A=6'
2 X 6W	7.5'	B=28'	B=19'
	8.5'	B=25'	B=18'
2 X 10W	7.5'	B=30'	B=28'
	8.5'	B=34'	B=30'

## Ordering Information

Battery unit EXAMPLE: CAD12X6OWD15

SERIES	LAMP WATTAGE	COLOUR*	Option
<b>CAD12</b> = 6 Volts - 12 Watts, lead calcium (+20°C to +30°C) std charger	<b>X6</b> = 6 Volts - 6 Watts	<b>OW</b> = off white	<b>D15</b> = time delay 15 min
<b>CADH12</b> = 6 Volts - 12 Watts, NiMH (-20°C to +40°C) comes with ADN*	<b>X10</b> = 6 Volts - 10 Watts	<b>BK</b> = black	
<b>CADH20</b> = 6 Volts - 20 Watts, NiMH (+20°C to +30°C) comes with ADN*		<b>DB</b> = dark bronze	
		<b>PG</b> = platinum grey	
	2 Xenon wedge base T3-1/4.	*Other colours available on demand. Consult your sales representative.	

Remote Unit EXAMPLE: RL42-6/60W

SERIES	VOLTAGE/LAMP WATTAGE	COLOUR*
<b>RL42</b> = Remote fixture (-40°C to +60°C)	- <b>6/6</b> = 6 Volts - 6 Watts	<b>OW</b> = off white
	- <b>6/10</b> = 6 Volts - 10 Watts	<b>BK</b> = black
	- <b>12/6</b> = 12 Volts - 6 Watts	<b>DB</b> = dark bronze
	- <b>12/10</b> = 12 Volts - 10 Watts	<b>PG</b> = platinum grey
Indoor/Outdoor Remote fixture	2 lamps provided standard Xenon wedge base T3-1/4	*Other colours available on demand. Consult your sales representative.